

THERMAL ARC®

252i

FABRICATOR® MULTI PROCESS WELDING INVERTER



Operating Manual

Revision: AB

Issue Date: December 19, 2011

Manual No.: 0-5155

Operating Features:

INVERTER	GMAW FCAW	GTAW	SMAW	300 AMP	CC CV	DC	208 230 V	1 PHASE
----------	--------------	------	------	------------	----------	----	-----------------	------------



WE APPRECIATE YOUR BUSINESS!

Congratulations on your new Thermal Arc product. We are proud to have you as our customer and will strive to provide you with the best service and reliability in the industry. This product is backed by our extensive warranty and worldwide service network. To locate your nearest distributor or service agency call 1-800-462-2782, or visit us on the web at www.Thermalarc.com.

This Operating Manual has been designed to instruct you on the correct use and operation of your Thermal Arc product. Your satisfaction with this product and its safe operation is our ultimate concern. Therefore please take the time to read the entire manual, especially the Safety Precautions. They will help you to avoid potential hazards that may exist when working with this product.

We have made every effort to provide you with accurate instructions, drawings, and photographs of the product(s) while writing this manual. However errors do occur and we apologize if there are any contained in this manual.

Due to our constant effort to bring you the best products, we may make an improvement that does not get reflected in the manual. If you are ever in doubt about what you see or read in this manual with the product you received, then check for a newer version of the manual on our website or contact our customer support for assistance.

YOU ARE IN GOOD COMPANY!

The Brand of Choice for Contractors and Fabricators Worldwide.

Thermal Arc is a Global Brand of Arc Welding Products for Thermadyne Industries Inc. We manufacture and supply to major welding industry sectors worldwide including; Manufacturing, Construction, Mining, Automotive, Aerospace, Engineering, Rural and DIY/Hobbyist.

We distinguish ourselves from our competition through market-leading, dependable products that have stood the test of time. We pride ourselves on technical innovation, competitive prices, excellent delivery, superior customer service and technical support, together with excellence in sales and marketing expertise.

Above all, we are committed to develop technologically advanced products to achieve a safer working environment within the welding industry.



WARNINGS

Read and understand this entire Manual and your employer's safety practices before installing, operating, or servicing the equipment.

While the information contained in this Manual represents the Manufacturer's best judgment, the Manufacturer assumes no liability for its use.

Operating Manual Number 0-5155 for:
Thermal Arc Fabricator 252i Inverter Power Supply
Thermal Arc Fabricator 252i Inverter System

Part Number W1004400
Part Number W1004401

Published by:
Thermadyne Industries, Inc.
82 Benning Street
West Lebanon, New Hampshire, USA 03784
(603) 298-5711

www.thermadyne.com

Copyright 2011 by
Thermadyne Industries, Inc.

All rights reserved.

Reproduction of this work, in whole or in part, without written permission of the publisher is prohibited.

The publisher does not assume and hereby disclaims any liability to any party for any loss or damage caused by any error or omission in this Manual, whether such error results from negligence, accident, or any other cause.

Publication Date: November 15, 2011
Revision Date: December 19, 2011

Record the following information for Warranty purposes:

Where Purchased: _____

Purchase Date: _____

Equipment Serial #: _____

TABLE OF CONTENTS

SECTION 1:

SAFETY INSTRUCTIONS AND WARNINGS 1-1

1.01	Arc Welding Hazards.....	1-1
1.02	General Safety Information for Victor CS Regulator.....	1-5
1.03	Principal Safety Standards.....	1-7
1.04	Symbol Chart.....	1-8
1.05	Precautions De Securite En Soudage A L'arc	1-9
1.06	Dangers relatifs au soudage à l'arc	1-9
1.07	Informations Générales de Sécurité.....	1-13
1.08	Principales Normes De Securite	1-15
1.09	Graphique de Symbole.....	1-16
1.10	Declaration Of Conformity	1-17

SECTION 2: INTRODUCTION 2-1

2.01	How to Use This Manual.....	2-1
2.02	Equipment Identification	2-1
2.03	Receipt of Equipment.....	2-1
2.04	Symbol Chart.....	2-2
2.05	Description	2-3
2.06	User Responsibility	2-3
2.07	Transportation Methods.....	2-3
2.08	Packaged Items	2-4
2.09	Duty Cycle.....	2-5
2.10	Specifications	2-6

SECTION 3: INSTALLATION OPERATION AND SETUP 3-1

3.01	Environment	3-1
3.02	Location.....	3-1
3.03	Ventilation.....	3-1
3.04	Mains Supply Voltage Requirements	3-1
3.05	Electromagnetic Compatibility	3-2
3.06	Power Source Controls, Indicators and Features	3-4
3.07	Advanced Features Details	3-10
3.08	Attaching the Tweco MIG Gun.....	3-15
3.09	Installing a 12.5 lb spool (8" diameter)	3-16
3.10	Installing a Standard Spool (12" diameter)	3-17
3.11	Inserting Wire into the Feed Mechanism	3-18
3.12	Feed Roller Pressure Adjustment.....	3-19
3.13	Feed Roller Alignment.....	3-19
3.14	Changing the Feed Roll	3-20
3.15	Input And Output Wire Guide Installation	3-21
3.16	Wire Reel Brake	3-22
3.17	Shielding Gas Regulator Operating Instructions	3-22
3.18	Set-up MIG (GMAW) Welding with Gas Shielded MIG Wire.....	3-25
3.19	Set-up for MIG (FCAW) Welding with Gasless MIG Wire	3-27
3.20	Set-up for LIFT TIG (GTAW) Welding	3-28
3.21	Set-up for STICK Metal Arc Welding (SMAW).....	3-30

TABLE OF CONTENTS

SECTION 4:		
BASIC WELDING GUIDE		4-1
4.01	MIG (GMAW/FCAW) Basic Welding Technique	4-1
4.02	MIG (GMAW/FCAW) Welding Troubleshooting	4-4
4.03	STICK (SMAW) Basic Welding Technique	4-7
4.04	STICK (SMAW) Welding Troubleshooting	4-15
4.05	TIG (GTAW) Basic Welding Technique	4-17
4.06	TIG (GTAW) Welding Problems	4-19
SECTION 5: POWER SOURCE PROBLEMS AND ROUTINE SERVICE REQUIREMENTS		5-1
5.01	Power Source Problems	5-1
5.02	Routine Service and Calibration Requirements	5-3
5.03	Cleaning the Welding Power Source	5-6
5.04	Cleaning the Feed Rolls	5-7
SECTION 6: KEY SPARE PARTS		6-1
6.01	Tweco Spraymaster 250 MIG Gun	6-1
6.02	Fabricator 252i Power Supply Replacement Panels	6-2
APPENDIX 1: OPTIONS AND ACCESSORIES		A-1
APPENDIX 2: FABRICATOR 252i CIRCUIT DIAGRAM		A-2

SECTION 1: SAFETY INSTRUCTIONS AND WARNINGS



WARNING

PROTECT YOURSELF AND OTHERS FROM POSSIBLE SERIOUS INJURY OR DEATH. KEEP CHILDREN AWAY. PACEMAKER WEARERS KEEP AWAY UNTIL CONSULTING YOUR DOCTOR. DO NOT LOSE THESE INSTRUCTIONS. READ OPERATING/INSTRUCTION MANUAL BEFORE INSTALLING, OPERATING OR SERVICING THIS EQUIPMENT.

Welding products and welding processes can cause serious injury or death, or damage to other equipment or property, if the operator does not strictly observe all safety rules and take precautionary actions.

Safe practices have developed from past experience in the use of welding and cutting. These practices must be learned through study and training before using this equipment. Some of these practices apply to equipment connected to power lines; other practices apply to engine driven equipment. Anyone not having extensive training in welding and cutting practices should not attempt to weld.

Safe practices are outlined in the American National Standard Z49.1 entitled: SAFETY IN WELDING AND CUTTING. This publication and other guides to what you should learn before operating this equipment are listed at the end of these safety precautions. **HAVE ALL INSTALLATION, OPERATION, MAINTENANCE, AND REPAIR WORK PERFORMED ONLY BY QUALIFIED PEOPLE.**

1.01 Arc Welding Hazards



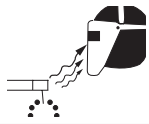
WARNING

ELECTRIC SHOCK can kill.

Touching live electrical parts can cause fatal shocks or severe burns. The electrode and work circuit is electrically live whenever the output is on. The input power circuit and machine internal circuits are also live when power is on. In semi-automatic or automatic wire welding, the wire, wire reel, drive roll housing, and all metal parts touching the welding wire are electrically live. Incorrectly installed or improperly grounded equipment is a hazard.

1. Do not touch live electrical parts.
2. Wear dry, hole-free insulating gloves and body protection.
3. Insulate yourself from work and ground using dry insulating mats or covers.
4. Disconnect input power or stop engine before installing or servicing this equipment. Lock input power disconnect switch open, or remove line fuses so power cannot be turned on accidentally.
5. Properly install and ground this equipment according to its Owner's Manual and national, state, and local codes.
6. Turn OFF all equipment when not in use. Disconnect power to equipment if it will be left unattended or out of service.
7. Use fully insulated electrode holders. Never dip holder in water to cool it or lay it down on the ground or the work surface. Do not touch holders connected to two welding machines at the same time or touch other people with the holder or electrode.
8. Do not use worn, damaged, undersized, or poorly spliced cables.
9. Do not wrap cables around your body.
10. Ground the workpiece to a good electrical (earth) ground.
11. Do not touch electrode while in contact with the work (ground) circuit.
12. Use only well-maintained equipment. Repair or replace damaged parts at once.
13. In confined spaces or damp locations, do not use a welder with AC output unless it is equipped with a voltage reducer. Use equipment with DC output.
14. Wear a safety harness to prevent falling if working above floor level.

15. Keep all panels and covers securely in place.



WARNING

ARC RAYS can burn eyes and skin; NOISE can damage hearing. Arc rays from the welding process produce intense heat and strong ultraviolet rays that can burn eyes and skin. Noise from some processes can damage hearing.

1. Wear a welding helmet fitted with a proper shade of filter (see ANSI Z49.1 listed in Safety Standards) to protect your face and eyes when welding or watching.
2. Wear approved safety glasses. Side shields recommended.

3. Use protective screens or barriers to protect others from flash and glare; warn others not to watch the arc.
4. Wear protective clothing made from durable, flame-resistant material (wool and leather) and foot protection.
5. Use approved ear plugs or ear muffs if noise level is high.



WARNING

FUMES AND GASES can be hazardous to your health.

Welding produces fumes and gases. Breathing these fumes and gases can be hazardous to your health.

AWS F2.2:2001 (R2010), Adapted with permission of the American Welding Society (AWS), Miami, Florida

Guide for Shade Numbers

Process	Electrode Size in. (mm)	Arc Current (Amperes)	Minimum Protective Shade	Suggested* Shade No. (Comfort)
Shielded Metal Arc Welding (SMAW)	Less than 3/32 (2.4)	Less than 60	7	-
	3/32-5/32 (2.4-4.0)	60-160	8	10
	5/32-1/4 (4.0-6.4)	160-250	10	12
	More than 1/4 (6.4)	250-550	11	14
Gas Metal Arc Welding (GMAW) and Flux Cored Arc Welding (FCAW)		Less than 60	7	-
		60-160	10	11
		160-250	10	12
		250-550	10	14
Gas Tungsten arc Welding (GTAW)		Less than 50	8	10
		50-150	8	12
		150-500	10	14
Air Carbon Arc Cutting (CAC-A)	(Light)	Less than 500	10	12
	(Heavy)	500-1000	11	14
Plasma Arc Welding (PAW)		Less than 20	6	6 to 8
		20-100	8	10
		100-400	10	12
		400-800	11	14
Plasma Arc Cutting (PAC)		Less than 20	4	4
		20-40	5	5
		40-60	6	6
		60-80	8	8
		80-300	8	9
		300-400	9	12
	400-800	10	14	

* As a rule of thumb, start with a shade that is too dark to see the weld zone. Then go to a lighter shade which gives sufficient view of the weld zone without going below the minimum. In oxyfuel gas welding, cutting, or brazing where the torch and/or the flux produces a high yellow light, it is desirable to use a filter lens that absorbs the yellow or sodium line of the visible light spectrum.

1. Keep your head out of the fumes. Do not breathe the fumes.
2. If inside, ventilate the area and/or use exhaust at the arc to remove welding fumes and gases.
3. If ventilation is poor, use an approved air-supplied respirator.
4. Read the Material Safety Data Sheets (MSDSs) and the manufacturer's instruction for metals, consumables, coatings, and cleaners.
5. Work in a confined space only if it is well ventilated, or while wearing an air-supplied respirator. Shielding gases used for welding can displace air causing injury or death. Be sure the breathing air is safe.
6. Do not weld in locations near degreasing, cleaning, or spraying operations. The heat and rays of the arc can react with vapors to form highly toxic and irritating gases.
7. Do not weld on coated metals, such as galvanized, lead, or cadmium plated steel, unless the coating is removed from the weld area, the area is well ventilated, and if necessary, while wearing an air-supplied respirator. The coatings and any metals containing these elements can give off toxic fumes if welded.
6. Be aware that welding on a ceiling, floor, bulkhead, or partition can cause fire on the hidden side.
7. Do not weld on closed containers such as tanks or drums.
8. Connect work cable to the work as close to the welding area as practical to prevent welding current from traveling long, possibly unknown paths and causing electric shock and fire hazards.
9. Do not use welder to thaw frozen pipes.
10. Remove stick electrode from holder or cut off welding wire at contact tip when not in use.

**WARNING**

FLYING SPARKS AND HOT METAL can cause injury.

Chipping and grinding cause flying metal. As welds cool, they can throw off slag.

1. Wear approved face shield or safety goggles. Side shields recommended.
2. Wear proper body protection to protect skin.

**WARNING**

CYLINDERS can explode if damaged.

Shielding gas cylinders contain gas under high pressure. If damaged, a cylinder can explode. Since gas cylinders are normally part of the welding process, be sure to treat them carefully.

**WARNING**

WELDING can cause fire or explosion.

Sparks and spatter fly off from the welding arc. The flying sparks and hot metal, weld spatter, hot workpiece, and hot equipment can cause fires and burns. Accidental contact of electrode or welding wire to metal objects can cause sparks, overheating, or fire.

1. Protect yourself and others from flying sparks and hot metal.
2. Do not weld where flying sparks can strike flammable material.
3. Remove all flammables within 35 ft (10.7 m) of the welding arc. If this is not possible, tightly cover them with approved covers.
4. Be alert that welding sparks and hot materials from welding can easily go through small cracks and openings to adjacent areas.
5. Watch for fire, and keep a fire extinguisher nearby.
1. Protect compressed gas cylinders from excessive heat, mechanical shocks, and arcs.
2. Install and secure cylinders in an upright position by chaining them to a stationary support or equipment cylinder rack to prevent falling or tipping.
3. Keep cylinders away from any welding or other electrical circuits.
4. Never allow a welding electrode to touch any cylinder.
5. Use only correct shielding gas cylinders, regulators, hoses, and fittings designed for the specific application; maintain them and associated parts in good condition.
6. Turn face away from valve outlet when opening cylinder valve.

- Keep protective cap in place over valve except when cylinder is in use or connected for use.
- Read and follow instructions on compressed gas cylinders, associated equipment, and CGA publication P-1 listed in Safety Standards.



WARNING

Engines can be dangerous.



WARNING

ENGINE EXHAUST GASES can kill.

Engines produce harmful exhaust gases.

- Use equipment outside in open, well-ventilated areas.
- If used in a closed area, vent engine exhaust outside and away from any building air intakes.



WARNING

ENGINE FUEL can cause fire or explosion.

Engine fuel is highly flammable.

- Stop engine before checking or adding fuel.
- Do not add fuel while smoking or if unit is near any sparks or open flames.
- Allow engine to cool before fueling. If possible, check and add fuel to cold engine before beginning job.
- Do not overfill tank — allow room for fuel to expand.
- Do not spill fuel. If fuel is spilled, clean up before starting engine.



WARNING

MOVING PARTS can cause injury.

Moving parts, such as fans, rotors, and belts can cut fingers and hands and catch loose clothing.

- Keep all doors, panels, covers, and guards closed and securely in place.
- Stop engine before installing or connecting unit.

- Have only qualified people remove guards or covers for maintenance and troubleshooting as necessary.
- To prevent accidental starting during servicing, disconnect negative (-) battery cable from battery.
- Keep hands, hair, loose clothing, and tools away from moving parts.
- Reinstall panels or guards and close doors when servicing is finished and before starting engine.



WARNING

SPARKS can cause BATTERY GASES TO EXPLODE; BATTERY ACID can burn eyes and skin.

Batteries contain acid and generate explosive gases.

- Always wear a face shield when working on a battery.
- Stop engine before disconnecting or connecting battery cables.
- Do not allow tools to cause sparks when working on a battery.
- Do not use welder to charge batteries or jump start vehicles.
- Observe correct polarity (+ and -) on batteries.



WARNING

STEAM AND PRESSURIZED HOT COOLANT can burn face, eyes, and skin.

The coolant in the radiator can be very hot and under pressure.

- Do not remove radiator cap when engine is hot. Allow engine to cool.
- Wear gloves and put a rag over cap area when removing cap.
- Allow pressure to escape before completely removing cap.

**LEAD WARNING**

This product contains chemicals, including lead, or otherwise produces chemicals known to the State of California to cause cancer, birth defects and other reproductive harm. Wash hands after handling. (California Health & Safety Code § 25249.5 et seq.)

NOTE

Considerations About Welding And The Effects of Low Frequency Electric and Magnetic Fields

The following is a quotation from the General Conclusions Section of the U.S. Congress, Office of Technology Assessment, Biological Effects of Power Frequency Electric & Magnetic Fields - Background Paper, OTA-BP-E-63 (Washington, DC: U.S. Government Printing Office, May 1989): "...there is now a very large volume of scientific findings based on experiments at the cellular level and from studies with animals and people which clearly establish that low frequency magnetic fields interact with, and produce changes in, biological systems. While most of this work is of very high quality, the results are complex. Current scientific understanding does not yet allow us to interpret the evidence in a single coherent framework. Even more frustrating, it does not yet allow us to draw definite conclusions about questions of possible risk or to offer clear science-based advice on strategies to minimize or avoid potential risks."

To reduce magnetic fields in the workplace, use the following procedures.

1. Keep cables close together by twisting or taping them.
2. Arrange cables to one side and away from the operator.
3. Do not coil or drape cable around the body.
4. Keep welding Power Source and cables as far away from body as practical.

**ABOUT PACEMAKERS:**

The above procedures are among those also normally recommended for pacemaker wearers. Consult your doctor for complete information.

1.02 General Safety Information for Victor CS Regulator

A Fire Prevention

Welding and cutting operations use fire or combustion as a basic tool. The process is very useful when properly controlled. However, it can be extremely destructive if not performed correctly in the proper environment.

1. The work area must have a fireproof floor.
2. Work benches or tables used during welding or cutting operations must have fireproof tops.
3. Use heat resistant shields or other approved material to protect nearby walls or unprotected flooring from sparks and hot metal.
4. Keep an approved fire extinguisher of the proper size and type in the work area. Inspect it regularly to ensure that it is in proper working order. Know how to use the fire extinguisher.
5. Move combustible materials away from the work site. If you can not move them, protect them with fireproof covers.

**WARNING**

NEVER perform welding, heating, or cutting operations on a container that has held toxic, combustible or flammable liquids, or vapors. NEVER perform welding, heating, or cutting operations in an area containing combustible vapors, flammable liquids, or explosive dust.

B Housekeeping**WARNING**

NEVER allow oxygen to contact grease, oil, or other flammable substances. Although oxygen by itself will not burn, these substances become highly explosive. They can ignite and burn violently in the presence of oxygen.

Keep ALL apparatus clean and free of grease, oil and other flammable substances.

C Ventilation



WARNING

Adequately ventilate welding, heating, and cutting work areas to prevent accumulation of explosive or toxic concentrations of gases. Certain combinations of metals, coatings, and gases generate toxic fumes. Use respiratory protection equipment in these circumstances. When welding/brazing, read and understand the Material Safety Data Sheet for the welding/brazing alloy.

D Personal Protection

Gas flames produce infrared radiation which may have a harmful effect on the skin and especially on the eyes. Select goggles or a mask with tempered lenses, shaded 4 or darker, to protect your eyes from injury and provide good visibility of the work.

Always wear protective gloves and flame-resistant clothing to protect skin and clothing from sparks and slag. Keep collars, sleeves, and pockets buttoned. **DO NOT** roll up sleeves or cuff pants.

When working in a non-welding or cutting environment, always wear suitable eye protection or face shield.



WARNING

Practice the following safety and operation precautions EVERY TIME you use pressure regulation equipment. Deviation from the following safety and operation instructions can result in fire, explosion, damage to equipment, or injury to the operator.

E Compressed Gas Cylinders

The Department of Transportation (DOT) approves the design and manufacture of cylinders that contain gases used for welding or cutting operations.

1. Place the cylinder (Figure 1-1) where you will use it. Keep the cylinder in a vertical position. Secure it to a cart, wall, work bench, post, etc.

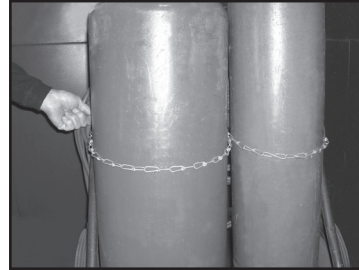


Figure 1-1: Gas Cylinders



WARNING

Cylinders are highly pressurized. Handle with care. Serious accidents can result from improper handling or misuse of compressed gas cylinders DO NOT drop the cylinder, knock it over, or expose it to excessive heat, flames or sparks. DO NOT strike it against other cylinders. Contact your gas supplier or refer to CGA P-1 “Safe Handling of Compressed Gases in Containers” publication.

NOTE

CGA P-1 publication is available by writing the Compressed Gas Association, 4221 Walney Road, 5th Floor, Chantilly, VA 20151-2923

2. Place the valve protection cap on the cylinder whenever moving it, placing it in storage, or not using it. Never drag or roll cylinders in any way. Use a suitable hand truck to move cylinders.
3. Store empty cylinders away from full cylinders. Mark them “EMPTY” and close the cylinder valve.

4. NEVER use compressed gas cylinders without a pressure reducing regulator attached to the cylinder valve.
5. Inspect the cylinder valve for oil, grease, and damaged parts.

**WARNING**

DO NOT use the cylinder if you find oil, grease or damaged parts. Inform your gas supplier of this condition immediately.

6. Momentarily open and close (called “cracking”) the cylinder valve to dislodge any dust or dirt that may be present in the valve.

**CAUTION**

Open the cylinder valve slightly. If you open the valve too much, the cylinder could tip over. When cracking the cylinder valve, DO NOT stand directly in front of the cylinder valve. Always perform cracking in a well ventilated area. If an acetylene cylinder sprays a mist when cracked, let it stand for 15 minutes. Then, try to crack the cylinder valve again. If this problem persists, contact your gas supplier.

1.03 Principal Safety Standards

Safety in Welding and Cutting, ANSI Standard Z49.1, from American Welding Society, 550 N.W. LeJeune Rd., Miami, FL 33126.

Safety and Health Standards, OSHA 29 CFR 1910, from Superintendent of Documents, U.S. Government Printing Office, Washington, D.C. 20402.

Recommended Safe Practices for the Preparation for Welding and Cutting of Containers That Have Held Hazardous Substances, American Welding Society Standard AWS F4.1, from American Welding Society, 550 N.W. LeJeune Rd., Miami, FL 33126.

National Electrical Code, NFPA Standard 70, from National Fire Protection Association, Batterymarch Park, Quincy, MA 02269.

Safe Handling of Compressed Gases in Cylinders, CGA Pamphlet P-1, from Compressed Gas Association, 1235 Jefferson Davis Highway, Suite 501, Arlington, VA 22202.

Code for Safety in Welding and Cutting, CSA Standard W117.2, from Canadian Standards Association, Standards Sales, 178 Rexdale Boulevard, Rexdale, Ontario, Canada M9W 1R3.

Safe Practices for Occupation and Educational Eye and Face Protection, ANSI Standard Z87.1, from American National Standards Institute, 1430 Broadway, New York, NY 10018.

Cutting and Welding Processes, NFPA Standard 51B, from National Fire Protection Association, Batterymarch Park, Quincy, MA 02269.

1.04 Symbol Chart

Note that only some of these symbols will appear on your model.

	ON
	OFF
	Dangerous Voltage
	Increase/Decrease
	Circuit Breaker
	AC Auxiliary Power
	Fuse
A	Amperage
V	Voltage
Hz	Hertz (cycles/sec)
f	Frequency
	Negative
	Positive
	Direct Current (DC)
	Protective Earth (Ground)
	Line
	Line Connection
	Auxiliary Power
115V 15A 	Receptacle Rating- Auxiliary Power

1	Single Phase
3	Three Phase
	Three Phase Static Frequency Converter- Transformer-Rectifier
	Remote
X	Duty Cycle
%	Percentage
	Panel/Local
	Shielded Metal Arc Welding (SMAW)
	Gas Metal Arc Welding (GMAW)
	Gas Tungsten Arc Welding (GTAW)
	Air Carbon Arc Cutting (CAC-A)
	Constant Current
	Constant Voltage Or Constant Potential
	High Temperature
	Fault Indication
	Arc Force
	Touch Start (GTAW)
	Variable Inductance
	Voltage Input

	Wire Feed Function
	Wire Feed Towards Workpiece With Output Voltage OFF.
	Welding Gun
	Purging Of Gas
	Continuous Weld Mode
	Spot Weld Mode
	Spot Time
	Prewflow Time
	Postflow Time
	2 Step Trigger Operation Press to initiate wirefeed and welding, release to stop.
	4 Step Trigger Operation Press and hold for preflow, release to start arc. Press to stop arc, and hold for preflow.
	Burnback Time
IPM	Inches Per Minute
MPM	Meters Per Minute
	See Note
	See Note
	Art # A-10663

1.05 Precautions De Securite En Soudage A L'arc



MISE EN GARDE

LE SOUDAGE A L'ARC EST DANGEREUX

PROTEGEZ-VOUS, AINSI QUE LES AUTRES, CONTRE LES BLESSURES GRAVES POSSIBLES OU LA MORT. NE LAISSEZ PAS LES ENFANTS S'APPROCHER, NI LES PORTEURS DE STIMULATEUR CARDIAQUE (A MOINS QU'ILS N'AIENT CONSULTE UN MEDECIN). CONSERVEZ CES INSTRUCTIONS. LISEZ LE MANUEL D'OPERATION OU LES INSTRUCTIONS AVANT D'INSTALLER, UTILISER OU ENTREtenir CET EQUIPEMENT.

Les produits et procédés de soudage peuvent sauser des blessures graves ou la mort, de même que des dommages au reste du matériel et à la propriété, si l'utilisateur n'adhère pas strictement à toutes les règles de sécurité et ne prend pas les précautions nécessaires.

En soudage et coupage, des pratiques sécuritaires se sont développées suite à l'expérience passée. Ces pratiques doivent être apprises par étude ou entraînement avant d'utiliser l'équipement. Toute personne n'ayant pas suivi un entraînement intensif en soudage et coupage ne devrait pas tenter de souder. Certaines pratiques concernent les équipements raccordés aux lignes d'alimentation alors que d'autres s'adressent aux groupes électrogènes.

La norme Z49.1 de l'American National Standard, intitulée "SAFETY IN WELDING AND CUTTING" présente les pratiques sécuritaires à suivre. Ce document ainsi que d'autres guides que vous devriez connaître avant d'utiliser cet équipement sont présentés à la fin de ces instructions de sécurité.

SEULES DES PERSONNES QUALIFIEES DOIVENT FAIRE DES TRAVAUX D'INSTALLATION, DE REPARATION, D'ENTRETIEN ET D'ESSAI.

1.06 Dangers relatifs au soudage à l'arc



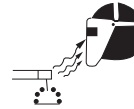
AVERTISSEMENT

L'ELECTROCUTION PEUT ETRE MORTELLE.

Une décharge électrique peut tuer ou brûler gravement. L'électrode et le circuit de soudage sont sous tension dès la mise en circuit. Le circuit d'alimentation et les circuits internes de l'équipement sont aussi sous tension dès la mise en marche. En soudage automatique ou semi-automatique avec fil, ce dernier, le rouleau ou la bobine de fil, le logement des galets d'entraînement et toutes les pièces métalliques en contact avec le fil de soudage sont sous tension. Un équipement inadéquatement installé ou inadéquatement mis à la terre est dangereux.

1. Ne touchez pas à des pièces sous tension.
2. Portez des gants et des vêtements isolants, secs et non troués.
3. Isolez-vous de la pièce à souder et de la mise à la terre au moyen de tapis isolants ou autres.
4. Déconnectez la prise d'alimentation de l'équipement ou arrêtez le moteur avant de l'installer ou d'en faire l'entretien. Bloquez le commutateur en circuit ouvert ou enlevez les fusibles de l'alimentation afin d'éviter une mise en marche accidentelle.
5. Veuillez à installer cet équipement et à le mettre à la terre selon le manuel d'utilisation et les codes nationaux, provinciaux et locaux applicables.
6. Arrêtez tout équipement après usage. Coupez l'alimentation de l'équipement s'il est hors d'usage ou inutilisé.
7. N'utilisez que des porte-électrodes bien isolés. Ne jamais plonger les porte-électrodes dans l'eau pour les refroidir. Ne jamais les laisser traîner par terre ou sur les pièces à souder. Ne touchez pas aux porte-électrodes raccordés à deux sources de courant en même temps. Ne jamais toucher quelqu'un d'autre avec l'électrode ou le porte-électrode.
8. N'utilisez pas de câbles électriques usés, endommagés, mal épissés ou de section trop petite.

9. N'enroulez pas de câbles électriques autour de votre corps.
10. N'utilisez qu'une bonne prise de masse pour la mise à la terre de la pièce à souder.
11. Ne touchez pas à l'électrode lorsqu'en contact avec le circuit de soudage (terre).
12. N'utilisez que des équipements en bon état. Réparez ou remplacez aussitôt les pièces endommagées.
13. Dans des espaces confinés ou mouillés, n'utilisez pas de source de courant alternatif, à moins qu'il soit muni d'un réducteur de tension. Utilisez plutôt une source de courant continu.
14. Portez un harnais de sécurité si vous travaillez en hauteur.
15. Fermez solidement tous les panneaux et les capots.



AVERTISSEMENT

LE RAYONNEMENT DE L'ARC PEUT BRÛLER LES YEUX ET LA PEAU; LE BRUIT PEUT ENDOMMAGER L'OUÏE.

L'arc de soudage produit une chaleur et des rayons ultraviolets intenses, susceptibles de brûler les yeux et la peau. Le bruit causé par certains procédés peut endommager l'ouïe.

1. Portez une casque de soudeur avec filtre oculaire de nuance appropriée (consultez la norme ANSI Z49 indiquée ci-après) pour vous protéger le visage et les yeux lorsque vous soudez ou que vous observez l'exécution d'une soudure.

AWS F2.2:2001 (R2010), Adapted with permission of the American Welding Society (AWS), Miami, Florida

Guide for Shade Numbers

Process	Electrode Size in. (mm)	Arc Current (Amperes)	Minimum Protective Shade	Suggested* Shade No. (Comfort)
Shielded Metal Arc Welding (SMAW)	Less than 3/32 (2.4)	Less than 60	7	-
	3/32-5/32 (2.4-4.0)	60-160	8	10
	5/32-1/4 (4.0-6.4)	160-250	10	12
	More than 1/4 (6.4)	250-550	11	14
Gas Metal Arc Welding (GMAW) and Flux Cored Arc Welding (FCAW)		Less than 60	7	-
		60-160	10	11
		160-250	10	12
		250-550	10	14
Gas Tungsten arc Welding (GTAW)		Less than 50	8	10
		50-150	8	12
		150-500	10	14
Air Carbon Arc Cutting (CAC-A)	(Light)	Less than 500	10	12
	(Heavy)	500-1000	11	14
Plasma Arc Welding (PAW)		Less than 20	6	6 to 8
		20-100	8	10
		100-400	10	12
		400-800	11	14
Plasma Arc Cutting (PAC)		Less than 20	4	4
		20-40	5	5
		40-60	6	6
		60-80	8	8
		80-300	8	9
		300-400	9	12
	400-800	10	14	

* As a rule of thumb, start with a shade that is too dark to see the weld zone. Then go to a lighter shade which gives sufficient view of the weld zone without going below the minimum. In oxyfuel gas welding, cutting, or brazing where the torch and/or the flux produces a high yellow light, it is desirable to use a filter lens that absorbs the yellow or sodium line of the visible light spectrum.

2. Portez des lunettes de sécurité approuvées. Des écrans latéraux sont recommandés.
3. Entourez l'aire de soudage de rideaux ou de cloisons pour protéger les autres des coups d'arc ou de l'éblouissement; avertissez les observateurs de ne pas regarder l'arc.
4. Portez des vêtements en matériaux ignifuges et durables (laine et cuir) et des chaussures de sécurité.
5. Portez un casque antibruit ou des bouchons d'oreille approuvés lorsque le niveau de bruit est élevé.

**AVERTISSEMENT**

LES VAPEURS ET LES FUMÉES SONT DANGEREUSES POUR LA SANTÉ.

Le soudage dégage des vapeurs et des fumées dangereuses à respirer.

1. Eloignez la tête des fumées pour éviter de les respirer.
2. A l'intérieur, assurez-vous que l'aire de soudage est bien ventilée ou que les fumées et les vapeurs sont aspirées à l'arc.
3. Si la ventilation est inadéquate, portez un respirateur à adduction d'air approuvé.
4. Lisez les fiches signalétiques et les consignes du fabricant relatives aux métaux, aux produits consommables, aux revêtements et aux produits nettoyants.
5. Ne travaillez dans un espace confiné que s'il est bien ventilé; sinon, portez un respirateur à adduction d'air. Les gaz protecteurs de soudage peuvent déplacer l'oxygène de l'air et ainsi causer des malaises ou la mort. Assurez-vous que l'air est propre à la respiration.
6. Ne soudez pas à proximité d'opérations de dégraissage, de nettoyage ou de pulvérisation. La chaleur et les rayons de l'arc peuvent réagir avec des vapeurs et former des gaz hautement toxiques et irritants.
7. Ne soudez des tôles galvanisées ou plaquées au plomb ou au cadmium que si les zones à souder ont été grattées à fond, que si l'espace est bien ventilé; si nécessaire portez un respirateur à adduction d'air. Car ces revêtements et tout métal qui contient ces éléments peuvent dégager des fumées toxiques au moment du soudage.

**AVERTISSEMENT**

LE SOUDAGE PEUT CAUSER UN INCENDIE OU UNE EXPLOSION

L'arc produit des étincelles et des projections. Les particules volantes, le métal chaud, les projections de soudure et l'équipement surchauffé peuvent causer un incendie et des brûlures. Le contact accidentel de l'électrode ou du fil-électrode avec un objet métallique peut provoquer des étincelles, un échauffement ou un incendie.

1. Protégez-vous, ainsi que les autres, contre les étincelles et du métal chaud.
2. Ne soudez pas dans un endroit où des particules volantes ou des projections peuvent atteindre des matériaux inflammables.
3. Enlevez toutes matières inflammables dans un rayon de 10,7 mètres autour de l'arc, ou couvrez-les soigneusement avec des bâches approuvées.
4. Méfiez-vous des projections brûlantes de soudage susceptibles de pénétrer dans des aires adjacentes par de petites ouvertures ou fissures.
5. Méfiez-vous des incendies et gardez un extincteur à portée de la main.
6. N'oubliez pas qu'une soudure réalisée sur un plafond, un plancher, une cloison ou une paroi peut enflammer l'autre côté.
7. Ne soudez pas un récipient fermé, tel un réservoir ou un baril.
8. Connectez le câble de soudage le plus près possible de la zone de soudage pour empêcher le courant de suivre un long parcours inconnu, et prévenir ainsi les risques d'électrocution et d'incendie.
9. Ne dégelez pas les tuyaux avec un source de courant.
10. Otez l'électrode du porte-électrode ou coupez le fil au tube-contact lorsqu'inutilisé après le soudage.
11. Portez des vêtements protecteurs non huileux, tels des gants en cuir, une chemise épaisse, un pantalon revers, des bottines de sécurité et un casque.



AVERTISSEMENT

LES ETINGELLES ET LES PROJECTIONS BRULANTES PEUVENT CAUSER DES BLESSURES.

Le piquage et le meulage produisent des particules métalliques volantes. En refroidissant, la soudure peut projeter des éclats de laitier.

1. Portez un écran facial ou des lunettes protectrices approuvées. Des écrans latéraux sont recommandés.
2. Portez des vêtements appropriés pour protéger la peau.



AVERTISSEMENT

LES BOUTEILLES ENDOMMAGEES PEUVENT EXPLOSER

Les bouteilles contiennent des gaz protecteurs sous haute pression. Des bouteilles endommagées peuvent exploser. Comme les bouteilles font normalement partie du procédé de soudage, traitez-les avec soin.

1. Protégez les bouteilles de gaz comprimé contre les sources de chaleur intense, les chocs et les arcs de soudage.
2. Enchaînez verticalement les bouteilles à un support ou à un cadre fixe pour les empêcher de tomber ou d'être renversées.
3. Éloignez les bouteilles de tout circuit électrique ou de tout soudage.
4. Empêchez tout contact entre une bouteille et une électrode de soudage.
5. N'utilisez que des bouteilles de gaz protecteur, des détendeurs, des boyaux et des raccords conçus pour chaque application spécifique; ces équipements et les pièces connexes doivent être maintenus en bon état.
6. Ne placez pas le visage face à l'ouverture du robinet de la bouteille lors de son ouverture.
7. Laissez en place le chapeau de bouteille sauf si en utilisation ou lorsque raccordé pour utilisation.

8. Lisez et respectez les consignes relatives aux bouteilles de gaz comprimé et aux équipements connexes, ainsi que la publication P-1 de la CGA, identifiée dans la liste de documents ci-dessous.



AVERTISSEMENT

LES MOTEURS PEUVENT ETRE DANGEREUX

LES GAZ D'ÉCHAPPEMENT DES MOTEURS PEUVENT ETRE MORTELS.

Les moteurs produisent des gaz d'échappement nocifs.

1. Utilisez l'équipement à l'extérieur dans des aires ouvertes et bien ventilées.
2. Si vous utilisez ces équipements dans un endroit confiné, les fumées d'échappement doivent être envoyées à l'extérieur, loin des prises d'air du bâtiment.



AVERTISSEMENT

LE CARBURANT PEUT CAUSER UN INCENDIE OU UNE EXPLOSION.

Le carburant est hautement inflammable.

1. Arrêtez le moteur avant de vérifier le niveau de carburant ou de faire le plein.
2. Ne faites pas le plein en fumant ou proche d'une source d'étincelles ou d'une flamme nue.
3. Si c'est possible, laissez le moteur refroidir avant de faire le plein de carburant ou d'en vérifier le niveau au début du soudage.
4. Ne faites pas le plein de carburant à ras bord: prévoyez de l'espace pour son expansion.
5. Faites attention de ne pas renverser de carburant. Nettoyez tout carburant renversé avant de faire démarrer le moteur.

**AVERTISSEMENT**

DES PIÈCES EN MOUVEMENT PEUVENT CAUSER DES BLESSURES.

Des pièces en mouvement, tels des ventilateurs, des rotors et des courroies peuvent couper doigts et mains, ou accrocher des vêtements amples.

1. Assurez-vous que les portes, les panneaux, les capots et les protecteurs soient bien fermés.
2. Avant d'installer ou de connecter un système, arrêtez le moteur.
3. Seules des personnes qualifiées doivent démonter des protecteurs ou des capots pour faire l'entretien ou le dépannage nécessaire.
4. Pour empêcher un démarrage accidentel pendant l'entretien, débranchez le câble d'accumulateur à la borne négative.
5. N'approchez pas les mains ou les cheveux de pièces en mouvement; elles peuvent aussi accrocher des vêtements amples et des outils.
6. Réinstallez les capots ou les protecteurs et fermez les portes après des travaux d'entretien et avant de faire démarrer le moteur.

**AVERTISSEMENT**

DES ÉTINCELLES PEUVENT FAIRE EXPLOSER UN ACCUMULATEUR; L'ELECTROLYTE D'UN ACCUMULATEUR PEUT BRULER LA PEAU ET LES YEUX.

Les accumulateurs contiennent de l'électrolyte acide et dégagent des vapeurs explosives.

1. Portez toujours un écran facial en travaillant sur un accumulateur.
2. Arrêtez le moteur avant de connecter ou de déconnecter des câbles d'accumulateur.
3. N'utilisez que des outils anti-étincelles pour travailler sur un accumulateur.
4. N'utilisez pas une source de courant de soudage pour charger un accumulateur ou survolter momentanément un véhicule.

5. Utilisez la polarité correcte (+ et -) de l'accumulateur.

**AVERTISSEMENT**

LA VAPEUR ET LE LIQUIDE DE REFROIDISSEMENT BRULANT SOUS PRESSION PEUVENT BRULER LA PEAU ET LES YEUX.

Le liquide de refroidissement d'un radiateur peut être brûlant et sous pression.

1. N'ôtez pas le bouchon de radiateur tant que le moteur n'est pas refroidi.
2. Mettez des gants et posez un torchon sur le bouchon pour l'ôter.
3. Laissez la pression s'échapper avant d'ôter complètement le bouchon.

**PLOMB AVERTISSEMENT**

Ce produit contient des produits chimiques, comme le plomb, ou engendre des produits chimiques, reconnus par l'état de Californie comme pouvant être à l'origine de cancer, de malformations fœtales ou d'autres problèmes de reproduction. Il faut se laver les mains après toute manipulation. (Code de Californie de la sécurité et santé, paragraphe 25249.5 et suivants)

1.07 Informations Générales de Sécurité

A Prévention D'incendie

Les opérations de soudage utilisent le feu ou la combustion comme outil de base. Ce processus est très utile quand il est correctement contrôlé.

1. La zone doit comporter un sol ignifugé.
2. Les établis ou tables utilisés pendant les opérations de soudage doivent avoir un revêtement ignifuge.
3. Utilisez des écrans résistants à la chaleur ou en matériau approuvé pour protéger les cloisons proches ou le sol vulnérable des étincelles et du métal chaud.

4. Gardez un extincteur approuvé du bon type et de la bonne taille dans la zone de travail. Inspectez-le régulièrement pour vous assurer qu'il est en état de fonctionner. Apprenez à vous en servir.
5. Enlevez tous les matériaux combustibles de la zone de travail. Si vous ne pouvez pas les enlever, protégez-les avec une couvre ignifuge.



AVERTISSEMENT

N'effectuez JAMAIS d'opérations de soudage sur un récipient qui a contenu des liquides ou vapeurs toxiques, combustibles ou inflammables. N'effectuez JAMAIS d'opérations de soudage dans une zone contenant des vapeurs combustibles, des liquides inflammables ou des poussières explosives.

B Entretien des Locaux



AVERTISSEMENT

Ne laissez jamais l'oxygène en contact avec la graisse, l'huile ou d'autres substances inflammables. Bien que l'oxygène elle-même ne brûle pas, ces substances peuvent devenir extrêmement explosives. Elles peuvent prendre feu et brûler violemment en présence d'oxygène.

Gardez **TOUTS** les appareils propres et exempts de graisse, huile ou autres substances inflammables.

C Aération



AVERTISSEMENT

Ventilez les zones de soudage, chauffage et découpage de façon adéquate pour éviter l'accumulation de gaz explosifs ou toxiques. Certaines combinaisons de métaux, revêtements et gaz génèrent des fumées toxiques: Utilisez un équipement de protection respiratoire dans ces circonstances. Si vous soudez ou brasez, lisez et assimilez la fiche technique de sécurité de matériau relative à l'alliage de soudage/brasage.

D Protection Personnelle

Les flammes de gaz produisent une radiation infrarouge qui peut avoir un effet néfaste sur la peau, et particulièrement sur les yeux. Choisissez des lunettes ou un masque avec des verres trempés assombris au niveau 4 ou plus sombre, pour protéger vos yeux des dommages et garder une bonne visibilité sur le travail.

Portez en permanence des gants de protection et des vêtements ignifuges pour la protection de la peau et des vêtements contre les étincelles et le laitier. Gardez col, manches et poches boutonnés. Il ne faut pas remonter vos manches ou les pantalons à revers.

Quand vous travaillez dans un environnement non dédié au soudage ou découpage, portez toujours une protection des yeux appropriées ou un masque facial.



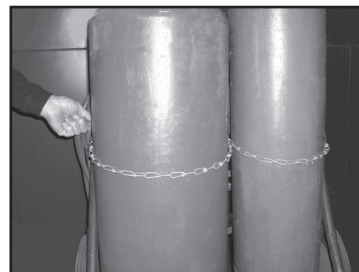
AVERTISSEMENT

Mettez en pratique les procédures de sécurité et de mode opératoire suivantes à chaque fois que vous utilisez cet appareil de régulation de pression. Si vous déviez de ces procédures, cela peut entraîner incendie, explosion, dégâts matériels et/ou blessures corporelles pour l'opérateur.

E Bouteilles de Gaz Comprimé

Le Département des Transports américain (DOT) approuve la conception et la fabrication des bouteilles qui contiennent les gaz utilisés pour les opérations de soudage ou de découpage.

1. Placez la bouteille (Le schéma 1) là où elle sera utilisée. Gardez-la en position verticale. Fixez-la sur un chariot une cloison, un établi, etc.



Le schéma 1-1: Cylindres de gaz

**AVERTISSEMENT**

Les bouteilles sont sous haute pression. Manipulez-les avec précautions. Des accidents sérieux peuvent résulter d'une mauvaise manutention ou d'un mauvais emploi des bouteilles de gaz comprimé. **NE faites PAS tomber la bouteille, ne la cognez pas, ne l'exposez pas à une chaleur excessive, aux flammes ou étincelles. NE la cognez PAS contre d'autres bouteilles.** Contactez votre fournisseur de gaz ou reportez-vous à la publication CGA P-1 "Manipulation sécurisée des gaz comprimés en conteneur" pour plus d'informations sur l'utilisation et la manutention des bouteilles.

AVIS

Ce document CGA p. 1 peut être obtenu en écrivant à "Compressed Gas Association", 4221 Walney Road, 5th Floor. Chantilly, VA 20151.2923, USA.

2. Placez le bouchon de protection de vanne sur la bouteille à chaque fois que vous la déplacez ou ne l'utilisez pas. Ne faites jamais glisser ou rouler d'aucune manière les bouteilles. Utilisez un diable approprié pour les déplacer.
3. Entreposez les bouteilles vides à l'écart des bouteilles pleines. Marquez-les "VIDE" et refermez leur vanne.
4. N'utilisez **JAMAIS** des bouteilles de gaz comprimé sans un régulateur de pression en série sur la vanne de bouteille.
5. Inspectez la vanne de bouteille pour y détecter de l'huile ou de la graisse, ou des pièces endommagées.

**AVERTISSEMENT**

N'UTILISEZ PAS la bouteille si vous trouvez de l'huile, de la graisse ou des pièces endommagées. Informez immédiatement votre fournisseur de gaz de cet état.

6. Ouvrez et fermez momentanément la vanne de la bouteille, délogeant ainsi d'éventuelles poussières ou saletés. qui pourraient être présentes dans la vanne.

**Mise en Garde**

Ouvrez la vanne de bouteille légèrement. Si vous l'ouvrez trop en grand, la bouteille pourrait se renverser. Quand vous ouvrez/fermez rapidement la vanne de bouteille, ne vous tenez pas directement devant. Opérez toujours cette opération dans une zone bien ventilée. Si une bouteille d'acétylène crache un brouillard, laissez reposer pendant 15 minutes. Essayez de nouveau la vanne. Si le problème persiste, contactez votre fournisseur de gaz.

1.08 Principales Normes De Sécurité

Safety in Welding and Cutting, norme ANSI Z49.1, American Welding Society, 550 N.W. LeJeune Rd., Miami, FL 33128.

Safety and Health Standards, OSHA 29 CFR 1910, Superintendent of Documents, U.S. Government Printing Office, Washington, D.C. 20402.

Recommended Safe Practices for the Preparation for Welding and Cutting of Containers That Have Held Hazardous Substances, norme AWS F4.1, American Welding Society, 550 N.W. LeJeune Rd., Miami, FL 33128.

National Electrical Code, norme 70 NFPA, National Fire Protection Association, Batterymarch Park, Quincy, MA 02269.

Safe Handling of Compressed Gases in Cylinders, document P-1, Compressed Gas Association, 1235 Jefferson Davis Highway, Suite 501, Arlington, VA 22202.
















Code for Safety in Welding and Cutting, norme CSA W117.2 Association canadienne de normalisation, Standards Sales, 276 Rexdale Boulevard, Rexdale, Ontario, Canada M9W 1R3.

















Safe Practices for Occupation and Educational Eye and Face Protection, norme ANSI Z87.1, American National Standards Institute, 1430 Broadway, New York, NY 10018.















Cutting and Welding Processes, norme 51B NFPA, National Fire Protection Association, Batterymarch Park, Quincy, MA 02269.

1.09 Graphique de Symbole

Seulement certains de ces symboles apparaîtront sur votre modèle.

	Sous Tension
	Hors Tension
	Tension dangereuse
	Augmentez/Diminuer
	Disjoncteur
	Source AC Auxiliaire
	Fusible
A	Intensité de Courant
V	Tension
Hz	Hertz (cycles/sec)
f	Fréquence
	Négatif
	Positif
	Courant Continue (DC)
	Terre de Protection
	Ligne
	Connexion de la Ligne
	Source Auxiliaire
115V 15A 	Classement de Prise-Source Auxiliaire

1 	Mono Phasé
3 	Trois Phasé
	Tri-Phase Statique Fréquence Convertisseur Transformateur-Redresseur
	Distant
X	Facteur de Marche
%	Pourcentage
	Panneau/Local
	Soudage Arc Electrique Avec Electrode Enrobé (SMAW)
	Soudage à L'arc Avec Fil Electrodes Fusible (GMAW)
	Soudage à L'arc Avec Electrode Non Fusible (GTAW)
	Decoupe Arc Carbone (CAC-A)
	Courant Constant
	Tension Constante Ou Potentiel Constant
	Haute Température
	Force d'Arc
	Amorçage de L'arc au Contact (GTAW)
	Inductance Variable
	Tension

	Déroutement du Fil
	Alimentation du Fil Vers la Pièce de Fabrication Hors Tension
	Torch de Soudage
	Purge Du Gaz
	Mode Continu de Soudure
	Soudure Par Point
	Duréc du Pulse
	Durée de Pré-Débit
	Durée de Post-Débit
<p>Détente à 2-Temps</p>  <p>Appuyez pour dèruarer l'alimentation du fils et la soudure, le relâcher pour arrêter.</p>	
<p>Détente à 4-Temps</p>  <p>Maintenez appuyez pour pré-débit, relaillez pour initier l'arc. Appuyez pour arrêter l'arc, et mainteuir pour pré-débit.</p>	
	Problème de Terre
IPM	Pouces Par Minute
MPM	Mètres Par Minute
	Voir Note
	Voir Note

Art # A-10665

1.10 Declaration Of Conformity

Manufacturer: Thermadyne Industries
Address: 82 Benning Street
West Lebanon, New Hampshire 03784
USA

The equipment described in this manual conforms to all applicable aspects and regulations of the 'Low Voltage Directive' (European Council Directive 73/23/EEC as amended by Council Directive 93/68/EEC) and to the National legislation for the enforcement of this Directive.

Serial numbers are unique with each individual piece of equipment and details description, parts used to manufacture a unit and date of manufacture.

National Standard and Technical Specifications

The product is designed and manufactured to a number of standards and technical requirements. Among them are:

- ISO/IEC 60974-1 (BS 638-PT10) (EN 60974-1) (EN50192) (EN50078) applicable to welding equipment and associated accessories.
- For environments with increased hazard of electrical shock, Power Supplies bearing the S mark conform to EN50192 when used in conjunction with hand torches with exposed cutting tips, if equipped with properly installed standoff guides.
- Extensive product design verification is conducted at the manufacturing facility as part of the routine design and manufacturing process. This is to ensure the product is safe, when used according to instructions in this manual and related industry standards, and performs as specified. Rigorous testing is incorporated into the manufacturing process to ensure the manufactured product meets or exceeds all design specifications.

Thermadyne has been manufacturing products for more than 30 years, and will continue to achieve excellence in our area of manufacture.

This Page Intentionally Blank

SECTION 2: INTRODUCTION

2.01 How to Use This Manual

This Operating Manual usually applies to the part numbers listed on page i. To ensure safe operation, read the entire manual, including the chapter on safety instructions and warnings. Throughout this manual, the word **WARNING**, **CAUTION** and **NOTE** may appear. Pay particular attention to the information provided under these headings. These special annotations are easily recognized as follows:



WARNING

Gives information regarding possible electrical shock injury. Warnings will be enclosed in a box such as this.



WARNING

Gives information regarding possible personal injury. Warnings will be enclosed in a box such as this.



CAUTION

Refers to possible equipment damage. Cautions will be shown in bold type.

NOTE

Offers helpful information concerning certain operating procedures. Notes will be shown in italics.

Additional copies of this manual may be purchased by contacting Thermal Arc at the address and phone number for your location listed in the inside back cover of this manual. Include the Owner's Manual number and equipment identification numbers.

2.02 Equipment Identification

The unit's identification number (specification or part number), model, and serial number usually appear on a nameplate attached to the machine. Equipment which does not have a nameplate attached to the machine is identified only by the specification or part number printed on the shipping container. Record these numbers for future reference.

2.03 Receipt of Equipment

When you receive the equipment, check it against the invoice to make sure it is complete and inspect the equipment for possible damage due to shipping. If there is any damage, notify the carrier immediately to file a claim. Furnish complete information concerning damage claims or shipping errors to the location in your area listed in the inside back cover of this manual.

Include all equipment identification numbers as described above along with a full description of the parts in error.

Move the equipment to the installation site before uncrating the unit. Use care to avoid damaging the equipment when using bars, hammers, etc., to uncrate the unit.

2.04 Symbol Chart

Note that only some of these symbols will appear on your model.

	ON		Single Phase		Wire Feed Function
	OFF		Three Phase		Wire Feed Towards Workpiece With Output Voltage OFF.
	Dangerous Voltage		Three Phase Static Frequency Converter-Transformer-Rectifier		Welding Gun
	Increase/Decrease		Remote		Purging Of Gas
	Circuit Breaker		Duty Cycle		Continuous Weld Mode
	AC Auxiliary Power		Percentage		Spot Weld Mode
	Fuse		Panel/Local		Spot Time
A	Amperage		Shielded Metal Arc Welding (SMAW)		Prewflow Time
V	Voltage		Gas Metal Arc Welding (GMAW)		Postflow Time
Hz	Hertz (cycles/sec)		Gas Tungsten Arc Welding (GTAW)	2 Step Trigger Operation Press to initiate wirefeed and welding, release to stop.	
f	Frequency		Air Carbon Arc Cutting (CAC-A)	4 Step Trigger Operation Press and hold for preflow, release to start arc. Press to stop arc, and hold for preflow.	
-	Negative		Constant Current		Burnback Time
+	Positive		Constant Voltage Or Constant Potential	IPM	Inches Per Minute
	Direct Current (DC)		High Temperature	MPM	Meters Per Minute
	Protective Earth (Ground)		Fault Indication		See Note
	Line		Arc Force		See Note
	Line Connection		Touch Start (GTAW)		
	Auxiliary Power		Variable Inductance		
115V 15A 	Receptacle Rating-Auxiliary Power		Voltage Input		

Art # A-10663

Figure 2-1: Symbol chart

2.05 Description

The Thermal Arc Fabricator 252i is a self contained single phase multi process welding power source that is capable of performing MIG (GMAW/FCAW), STICK (SMAW) and Lift TIG (GTAW) welding processes. The Fabricator 252i is equipped with an integrated wire feed unit, digital voltage / amperage meters, power factor correction (PFC) with energy saving technology and a host of other features to satisfy the broad operating needs of the modern welding professional.

The Fabricator 252i is fully compliant to standard IEC 60974.1. The Fabricator 252i MIG provides excellent welding performance across a broad range of applications when used with the correct welding consumables and procedures. The following instructions detail how to correctly and safely set up the machine and give guidelines on gaining the best efficiency and quality from the Power Source. Please read these instructions thoroughly before using the unit.

2.06 User Responsibility

This equipment will perform as per the information contained herein when installed, operated, maintained and repaired in accordance with the instructions provided. This equipment must be checked periodically. Defective equipment (including welding leads) should not be used. Parts that are broken, missing, plainly worn, distorted or contaminated, should be replaced immediately. Should such repairs or replacements become necessary, it is recommended that such repairs be carried out by appropriately qualified persons approved by Thermal Arc. Advice in this regard can be obtained by contacting an Accredited Thermal Arc Distributor.

This equipment or any of its parts should not be altered from standard specification without prior written approval of Thermal Arc. The user of this equipment shall have the sole responsibility for any malfunction which results from improper use or unauthorized modification from standard specification, faulty maintenance, damage or improper repair by anyone other than appropriately qualified persons approved by Thermal Arc.

2.07 Transportation Methods



WARNING

ELECTRIC SHOCK can kill. DO NOT TOUCH live electrical parts. Disconnect input power conductors from de-energized supply line before moving the welding power source.



WARNING

FALLING EQUIPMENT can cause serious personal injury and equipment damage.

Lift unit with integrated hand holds at the front and rear of the unit.

Use handcart or similar device of adequate capacity.

If using a fork lift vehicle, place and secure unit on a proper skid before transporting.

2.08 Packaged Items

Fabricator 252i Part No. (W1004401)

- Fabricator 252i Power Supply
- 15 ft Tweco® Spray Master 250 Amp MIG Gun
- Contact tips (1 each)
 - .030" (0.8 mm)
 - .035" (0.9 mm)
 - .045" (1.2 mm)
- Victor® Argon Regulator / Gauge & 10 ft. (3M) Hose
- Tweco WeldSkill 200 Amp electrode holder with 13 ft. (4 M) lead
- Tweco WeldSkill 200 Amp ground clamp with 10 ft. (3 M) lead
- Drive Rolls:
 - .035" / .045" (0.9 to 1.2 mm) V Grooved Lower & Flat Upper (Fitted)
 - .045" (1.2 mm) Flux Cored Roll
- Operating Manual
- 9 ft. (2.75 M) Power cord & NEMA 6-50P 230V AC Plug



Figure 2-2: Packaged Items

2.09 Duty Cycle

The rated duty cycle of a Welding Power Source is a statement of the time it may be operated at its rated welding current output without exceeding the temperature limits of the insulation of the component parts. To explain the 10 minute duty cycle period the following example is used. Suppose a Welding Power Source is designed to operate at a 40% duty cycle, 250 amperes at 26.5 volts. This means that it has been designed and built to provide the rated amperage (250A) for 4 minutes, i.e. arc welding time, out of every 10 minute period (40% of 10 minutes is 4 minutes). During the other 6 minutes of the 10 minute period the Welding Power Source must idle and be allowed to cool.

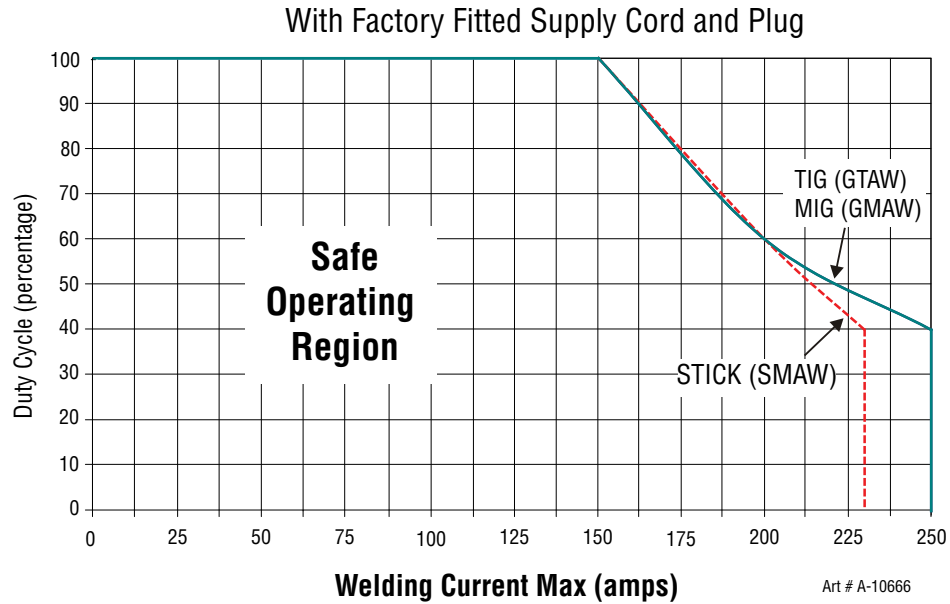


Figure 2-3: Fabricator 252i Duty Cycle with Upgraded Supply Lead and Plug

2.10 Specifications

Description	Fabricator 252i MULTI PROCESS WELDING INVERTER
Power Source Dimensions	H 17.5" x W 10.25" x D 23.5"
Power Source Mass	65 lbs.
Cooling	Fan Cooled
Welder Type	Multi Process Power Source
Standard	IEC60974.1
Number of Phases	Single Phase
Nominal Supply Voltage	208/230 VAC ± 15%
Supply Voltage Range	187 - 265 VAC
Nominal Supply Frequency	50/60Hz
Open Circuit Voltage	72 VDC
MIG Voltage Range	14-30 VDC
Wirefeeder Speed Range	67 - 700 ipm (1.7 - 17.8 M/min.)
Protection Class	IP23S
Supply Lead & Plug Rating	50 Amps (10 AWG)
Welding Current Range (MIG Mode)	20-300 Amps
Welding Current Range (LIFT TIG Mode)	5-300 Amps
Welding Current Range (STICK Mode)	20-230 Amps
Effective Input Current (I _{1eff})	22.4 Amps
Maximum Input Current (I _{1max})	34.7 Amps
Single Phase Generator Requirement	10 kVA
MIG (GMAW) Welding Output, 40°C, 10 min.	250A @ 40%, 26.5V 200A @ 60%, 24V 150A @ 100%, 21.5V
STICK (SMAW) Welding Output, 40°C, 10 min.	230A @ 40%, 29.2V 200A @ 60%, 28V 150A @ 100%, 26V
TIG (GTAW) Welding Output, 40°C, 10 min.	250A @ 40%, 20V 200A @ 60%, 18V 150A @ 100%, 16V

Table 2-1: Fabricator 252i Specification

NOTE

Due to variations that can occur in manufactured products, claimed performance, voltages, ratings, all capacities, measurements, dimensions and weights quoted are approximate only. Achievable capacities and ratings in use and operation will depend upon correct installation, use, applications, maintenance and service.

SECTION 3: INSTALLATION OPERATION AND SETUP

3.01 Environment

This unit is designed for use in environments with increased hazard of electric shock as outlined in IEC 60974.1. Additional safety precautions may be required when using unit in an environment with increased hazard of electric shock. Please refer to relevant local standards for further information prior to using in such areas.

A. Examples of environments with increased hazard of electric shock are:

1. In locations in which freedom of movement is restricted, so that the operator is forced to perform the work in a cramped (kneeling, sitting or lying) position with physical contact with conductive parts.
2. In locations which are fully or partially limited by conductive elements, and in which there is a high risk of unavoidable or accidental contact by the operator.
3. In wet or damp hot locations where humidity or perspiration considerably reduces the skin resistance of the human body and the insulation properties of accessories.

B. Environments with increased hazard of electric shock do not include places where electrically conductive parts in the near vicinity of the operator, which can cause increased hazard, have been insulated.

3.02 Location

Be sure to locate the welder according to the following guidelines:

- A. In areas, free from moisture and dust.
- B. Ambient temperature between 32° F to 104° F.
- C. In areas, free from oil, steam and corrosive gases.
- D. In areas, not subjected to abnormal vibration or shock.
- E. In areas, not exposed to direct sunlight or rain.
- F. Place at a distance of 1 foot or more from walls or similar that could restrict natural air flow for cooling.
- G. The enclosure design of this power source meets the requirements of IP23S as outlined in IEC60529.

H. Precautions must be taken against the power source toppling over. The power source must be located on a suitable horizontal surface in the upright position when in use.



WARNING

This equipment should be electrically connected by a qualified electrician.

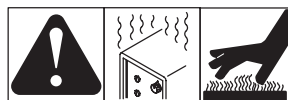
3.03 Ventilation



WARNING

Since the inhalation of welding fumes can be harmful, ensure that the welding area is effectively ventilated.

3.04 Mains Supply Voltage Requirements



The Mains supply voltage should be within ± 15% of the rated Mains supply voltage. Too low of a supply voltage may cause poor welding performance or wirefeeder malfunction. Too high of a supply voltage will cause components to overheat and possibly fail.



WARNING

The Fabricator 252i must be electrically connected by a qualified electrical trades-person. Damage to the PCA (Power Control Assembly) could occur if 276 VAC or higher is applied to the Primary Power Cable

50/60 Hz Single Phase	Primary Supply Lead Size	Minimum Primary Current Circuit Size (Vin/lin)	Minimum Plug Size	Current & Duty Cycle		
				MIG	LIFT TIG	STICK
Yes	10 AWG	208-230/50A	50A	40% @ 250A	40% @ 250A	40% @ 230A

Table 3-1: Input Power Source Leads for Fabricator 252i



WARNING

ELECTRIC SHOCK can kill; **SIGNIFICANT DC VOLTAGE** is present after removal of input power. **DO NOT TOUCH** live electrical parts.

SHUT DOWN welding power source, disconnect input power employing lockout/tagging procedures. Lock-out/tagging procedures consist of padlocking line disconnect switch in open position, removing fuses from fuse box, or shutting OFF and red-tagging circuit breaker or other disconnecting device.

Electrical Input Requirements

Operate the welding power source from a single-phase 50/60 Hz, AC power source. The Welding Power Source must be:

- Correctly installed, if necessary, by a qualified electrician.
- Correctly earthed (electrically) in accordance with local regulations.
- Connected to the correct size power point, fuse and primary supply lead based on Table 3-1.



WARNING

Any electrical work must be carried out by a qualified Electrical Tradesperson.

3.05 Electromagnetic Compatibility



WARNING

Extra precautions for Electromagnetic Compatibility may be required when this Welding Power Source is used in a domestic situation.

A. Installation and Use - Users Responsibility

The user is responsible for installing and using the welding equipment according to the manufacturer’s instructions. If electromagnetic disturbances are detected then it shall be the responsibility of the user of the welding equipment to resolve the situation with the technical assistance of the manufacturer. In some cases this remedial action may be as simple as earthing the welding circuit, see NOTE below. In other cases it could involve constructing an electromagnetic screen enclosing the Welding Power Source and the work, complete with associated input filters. In all cases, electromagnetic disturbances shall be reduced to the point where they are no longer Troublesome.

NOTE

The welding circuit may or may not be earthed for safety reasons. Changing the earthing arrangements should only be authorized by a person who is competent to assess whether the changes will increase the risk of injury, e.g. by allowing parallel welding current return paths which may damage the earth circuits of other equipment. Further guidance is given in IEC 60974-13 Arc Welding Equipment - Installation and use (under preparation).

B. Assessment of Area

Before installing welding equipment, the user shall make an assessment of potential electromagnetic problems in the surrounding area. The following shall be taken into account.

1. Other supply cables, control cables, signaling and telephone cables; above, below and adjacent to the welding equipment.
2. Radio and television transmitters and receivers.
3. Computer and other control equipment.
4. Safety critical equipment, e.g. guarding of industrial equipment.
5. The health of people around, e.g. the use of pace-makers and hearing aids.
6. Equipment used for calibration and measurement.
7. The time of day that welding or other activities are to be carried out.
8. The immunity of other equipment in the environment: the user shall ensure that other equipment being used in the environment is compatible: this may require additional protection measures.

The size of the surrounding area to be considered will depend on the structure of the building and other activities that are taking place. The surrounding area may extend beyond the boundaries of the premises.

C. Methods of Reducing Electromagnetic Emissions**1. Mains Supply**

Welding equipment should be connected to the mains supply according to the manufacturer's recommendations. If interference occurs, it may be necessary to take additional precautions such as filtering of the mains supply. Consideration should be given to shielding the supply cable of permanently installed welding equipment in metallic conduit or equivalent. Shielding should be electrically continuous throughout its length. The shielding should be connected to the Welding Power Source so that good electrical contact is maintained between the conduit and the Welding Power Source enclosure.

2. Maintenance of Welding Equipment

The welding equipment should be routinely maintained according to the manufacturer's recommendations. All access and service doors and covers should be closed and properly fastened when the welding equipment is in operation. The welding equipment should not be modified in any way except for those changes and adjustments covered in the manufacturer's instructions.

3. Welding Cables

The welding cables should be kept as short as possible and should be positioned close together but never coiled and running at or close to the floor level.

4. Equipotential Bonding

Bonding of all metallic components in the welding installation and adjacent to it should be considered. However, metallic components bonded to the work piece will increase the risk that the operator could receive a shock by touching the metallic components and the electrode at the same time. The operator should be insulated from all such bonded metallic components.

5. Earthing/grounding of the Work Piece

Where the work piece is not bonded to earth for electrical safety, nor connected to earth because of its size and position, e.g. ship's hull or building steelwork, a connection bonding the work piece to earth may reduce emissions in some, but not all instances. Care should be taken to prevent the earthing of the work piece increasing the risk of injury to users, or damage to other electrical equipment. Where necessary, the connection of the work piece to earth should be made by direct connection to the work piece, but in some countries where direct connection is not permitted, the bonding should be achieved by suitable capacitance, selected according to national regulations.

6. Screening and Shielding

Selective screening and shielding of other cables and equipment in the surrounding area may alleviate problems of interference. Screening the entire welding installation may be considered for special applications.

3.06 Power Source Controls, Indicators and Features

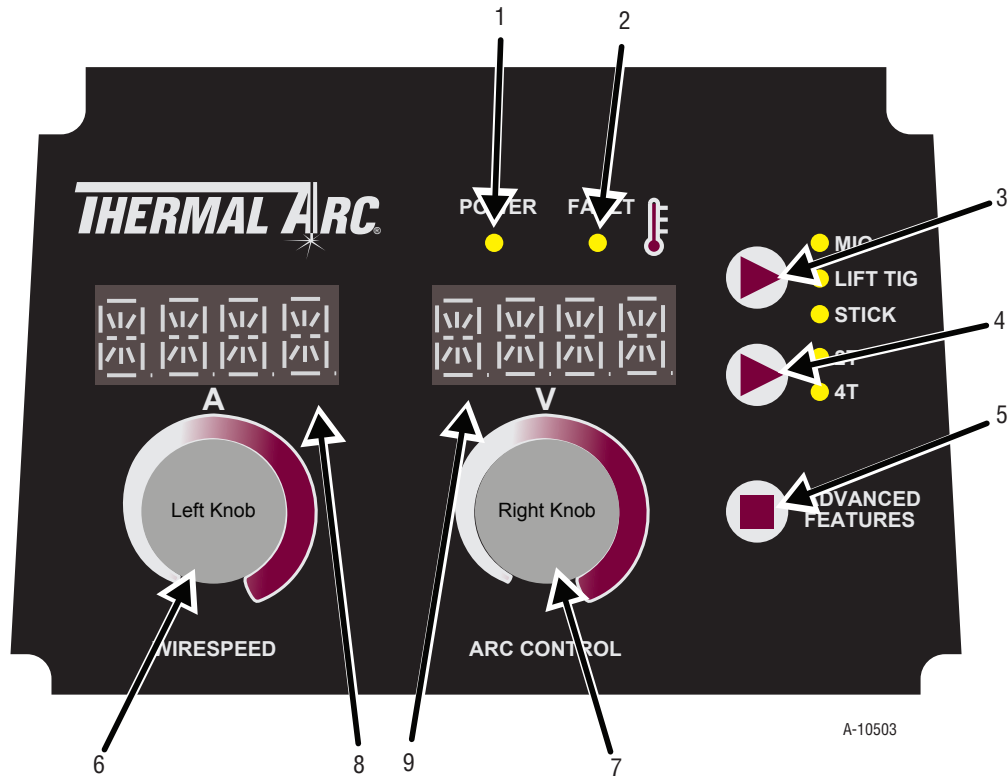


Figure 3-1: Fabricator Control Panel

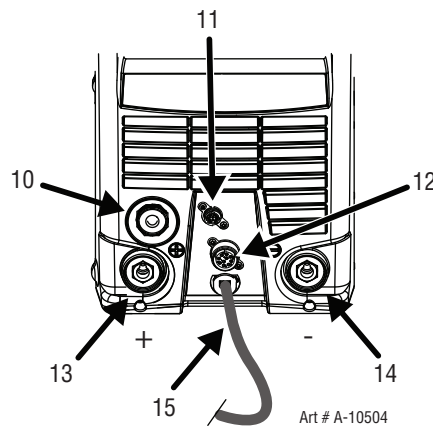


Figure 3-2: Fabricator Front Connections



WARNING

DO NOT TOUCH the electrode wire while it is being fed through the system. The electrode wire will be at welding voltage potential.

1. Power Indicator

Power



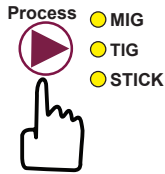
The green power indicator will be illuminated when the welder is turned ON and indicates the presence of power.

2. Fault Indicator

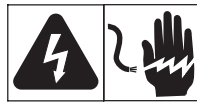


The yellow fault indicator will be illuminated when any of the faults are detected. ALL Faults will illuminate the indicator

3. Weld Process Selection Button



Press and release this button to change the selected weld process mode from MIG to LIFT TIG to STICK. The weld process will change to the next process in the sequence each time the button is pressed and released. The red indicators next to the button will illuminate to identify MIG or LIFT TIG or STICK process mode.



WARNING

When the Power light is lit, the machine is connected to the Mains supply voltage and the internal electrical components are at Mains voltage potential.

4. 2T - 4T Trigger Latch Button



Press and release the button to change the selected operating mode of the trigger. The selected mode can be either "2T" (unlatched) or "4T" (latched) operation. The red indicator next to the button will illuminate to identify which mode is selected (2T or 4T). In the 4T mode once the weld has been started you can release the trigger and continue welding until the trigger is activated again or the welding arc is broken to stop the welding arc.

5. Advanced Features Button



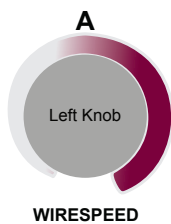
Press and release the Advanced Features button to enter or exit from the advanced programming mode. To exit, simply press and release the button again. Any changes made are saved. The advanced programming menu items are described in detail for each welding mode in Section 3.07.



Gas Purge.

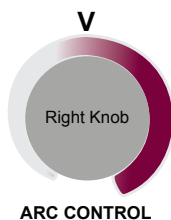
In addition, the Advanced Features Button is used to initiate a 30 second gas line purge function to fill the gas line with the shielding gas from the connected gas cylinder. To start the gas purge function, simply press and hold the button for approximately two (2) seconds. Once the Gas purge function has started, a countdown timer will show in the left alpha-numeric display indicating the number of seconds remaining before the purge will be automatically terminated. You can stop the Gas purge any time during the 30 seconds by quickly pressing and releasing the button again.

6. Left Knob: Amperage Control (Wirespeed)



The amperage control knob adjusts the amount of welding current delivered by the power source. In STICK and LIFT TIG modes, the amperage control knob directly adjusts the power inverter to deliver the desired level of output current. In MIG mode, the amperage knob adjusts the speed of the wire feed motor (which in turn adjusts the output current by varying the amount of MIG wire delivered to the welding arc). The optimum wire speed required is dependent on the type of welding application. The setup chart on the inside of the wire feed compartment door provides a brief summary of the required output settings for a basic range of MIG welding applications. The value may also be adjusted while a weld is in progress – if this occurs, the left display will briefly switch to show the adjusted value as the knob is turned, and will automatically revert back to showing the weld current measurements when the knob is not being turned.

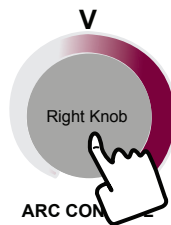
7. Right Knob: Multifunction Control - MIG Voltage / Arc Control (Inductance) & STICK Arc Force



MIG Voltage Control

In this mode the control knob is used to adjust the output voltage of the power source. The welding voltage is increased by turning the knob clockwise or decreased by turning the knob anti-clockwise. The optimum voltage level required is dependent on the type of welding application. The setup chart on the inside of the wire feed compartment door provides a brief summary of the

required output settings for a basic range of MIG welding applications. The value may also be adjusted while a weld is in progress – if this occurs, the left display will briefly switch to show the adjusted value as the knob is turned, and will automatically revert back to showing the weld current measurements when the knob is not being turned.



MIG Arc Control (Inductance)

The arc control operates in MIG mode only and is used to adjust the intensity of the welding arc. To access the Arc Control function, push inward on the right knob and hold it for approximately 2 seconds. This feature can be accessed and adjusted during welding.

When STICK Mode is Selected

In this mode the multifunction control knob is used to adjust arc force. Arc force control provides an adjustable amount of welding force (or “dig”) control. This feature can be particularly beneficial in providing the operator the ability to compensate for variability in joint fit-up in certain situations with particular electrodes. In general increasing the arc force control toward ‘100%’ (maximum arc force) allows greater penetration control to be achieved. Arc force is increased by turning the control knob clockwise or decreased by turning the knob anti-clockwise. This feature can be accessed and adjusted during welding.

To access the Arc Control function, push inward on the right knob and hold it for approximately 2 seconds. This feature can be accessed and adjusted during welding.

The left display will change to show the Arc Control parameter name that is in effect for the current MIG or STICK Modes and the right display will show its present value. Use the right knob to change the value. When the desired value is selected, press inward again on the knob without turning it and release it to exit the Arc Control function and save the value.

Weld Modes	Arc Control Function	Left Display	Right Display	Limits
MIG	Inductance	INDU	25% (default)	0 – 100 %
STICK	Arc Force	ARC- / FRCE	50% (default)	0 – 100%

Table 3-2

8. Left Digital Display



MIG Mode

This digital meter is used to display the pre-set (preview) Wirefeed Speed in Inches Per Minute (IPM) in MIG mode and actual welding amperage of the power source when welding. At times of non-welding, the digital meter will display a pre-set (preview) value of Wirefeed Speed. This value can be adjusted by varying the Left Knob (Control No 6).

STICK and LIFT TIG Modes

The digital meter is used to display the pre-set (preview) amperage in STICK / LIFT TIG modes and actual welding amperage of the power source when welding. At times of non-welding, the amperage meter will display a pre-set (preview) value in both STICK and LIFT TIG modes. This value can be adjusted by varying the Left Knob (Control No 6).

When welding, this digital meter will display actual welding amperage in all modes.

At the completion of welding, the digital meter will hold the last recorded amperage value for a period of approximately 10 seconds in all modes. The amperage meter will hold the value until; (1) any of the front panel controls are adjusted in which case the unit will revert to preview mode, (2) welding is recommenced, in which case actual welding amperage will be displayed, or (3) a period of 10 seconds elapses following the completion of welding in which case the unit will return to preview mode.

The display is also used for providing error messages to the user and showing other information, which will be explained in Section 5.

9. Right Digital Display



MIG Mode

This digital meter is used to display the pre-set (preview) Voltage in MIG mode and actual welding voltage of the power source when welding. At times of non-welding, the digital meter will display a pre-set (preview) value of Voltage. This value can be adjusted by varying the Right Knob (Control No 7).

STICK and LIFT TIG Modes

This digital meter is used to display the Welding Output Terminal Voltage in STICK / LIFT TIG modes during non-welding or welding. This value can not be adjusted by varying the Right Knob (Control No 7).

When welding, this digital meter will display actual welding voltage in all modes.

At the completion of welding, the digital meter will hold the last recorded voltage value for a period of approximately 10 seconds in all modes. The voltage meter will hold the value until; (1) any of the front panel controls are adjusted in which case the unit will revert to preview mode, (2) welding is recommenced, in which case actual welding amperage will be displayed, or (3) a period of 10 seconds elapses following the completion of welding in which case the unit will return to preview mode.

The display is also used for providing error messages to the user and showing other information, which will be explained in Section 5.

10. MIG Gun Adaptor

The MIG Gun Adaptor is the connection point for the Tweco MIG Gun. Refer to section 3.08 for the correct procedure for attaching the Tweco MIG Gun.

11. Remote Control Socket

The 8 pin Remote Control Socket is used to connect remote control devices to the welding power source. To make connections, align keyway, insert plug, and rotate threaded collar fully clockwise.

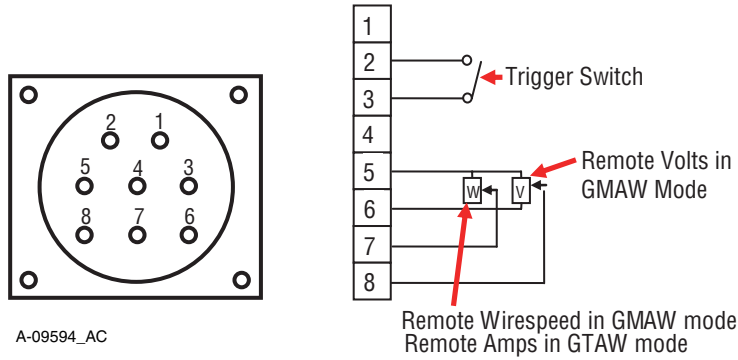


Figure 3-3: Remote Control Socket

Socket Pin	Function
1	Not connected
2	Trigger Switch Input
3	Trigger Switch Input
4	Not connected
5	5k ohm (maximum) connection to 5k ohm remote control potentiometer.
6	Zero ohm (minimum) connection to 5k ohm remote control potentiometer.
7	Wiper arm connection to 5k ohm remote control Wirespeed MIG mode potentiometer. Wiper arm connection to 5k ohm remote control Amps LIFT TIG mode potentiometer.
8	Wiper arm connection to 5k ohm remote control Volts MIG mode potentiometer.

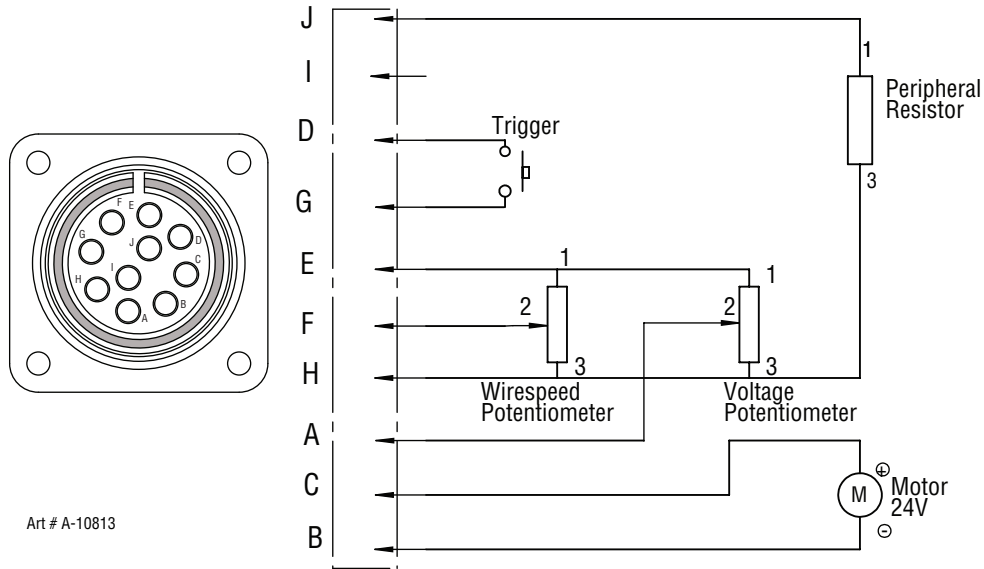
Table 3-3

NOTE

The remote local setting on the control panel should be set to remote for the remote wire feeder amperage/voltage controls to be operative.

12. 10 Pin Accessories Socket

The 10 pin Accessories Socket is used to connect remote devices such as a spool gun to the welding power source. To make connections, align keyway, insert plug, and rotate threaded collar fully clockwise.



Art # A-10813

Figure 3-4: Remote Control Socket

Socket Pin	Function
A	Voltage Pot. Wiper
B	Wire Feed Motor (-)
C	Wire Feed Motor (+)
D	Trigger Switch Input
E	Wire Speed Pot. & Voltage Pot. (+) CW 10K ohm
F	Wiper Arm Speed Pot.
G	Trigger Switch Input & Solenoid (-)
H	Wire Speed Pot. & Voltage Pot. (-) ACW
I	Solenoid (+)
J	Peripheral Program Resistor

Table 3-4

13. Positive Welding Output Terminal

The positive welding terminal is used to connect the welding output of the power source to the appropriate welding accessory such as the MIG Gun (via the MIG Gun polarity lead), electrode holder lead or work lead. Positive welding current flows from the power source via this heavy duty bayonet type terminal. It is essential, however, that the male plug is inserted and turned securely to achieve a sound electrical connection.



CAUTION

Loose welding terminal connections can cause overheating and result in the male plug being fused in the bayonet terminal.

14. Negative Welding Output Terminal

The negative welding terminal is used to connect the welding output of the power source to the appropriate welding accessory such as the MIG Gun (via the MIG Gun polarity lead), LIFT TIG torch or work lead. Negative welding current flows to the power source via this heavy duty bayonet type terminal. It is essential, however, that the male plug is inserted and turned securely to achieve a sound electrical connection.



CAUTION

Loose welding terminal connections can cause overheating and result in the male plug being fused in the bayonet terminal.

15. MIG Gun Polarity Lead

The polarity lead is used to connect the MIG Gun to the appropriate positive or negative output terminal (allowing polarity reversal for different welding applications). In general, the polarity lead should be connected in to the positive welding terminal (+) when using steel, stainless steel or aluminum electrode wire. When using gasless wire, the polarity lead is generally connected to the negative welding terminal (-). If in doubt, consult the manufacturer of the electrode wire for the correct polarity. It is essential, however, that the male plug is inserted and turned securely to achieve a sound electrical connection.



CAUTION

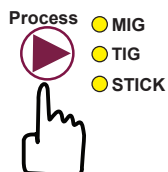
Loose welding terminal connections can cause overheating and result in the male plug being fused in the bayonet terminal.

3.07 Advanced Features Details

NOTE

The Local / Remote setting will only be saved while in that welding process. Once the welding process is changed the setting will revert to the factory default.

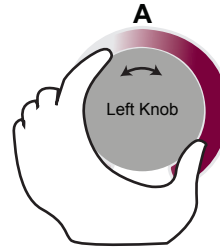
General Operation



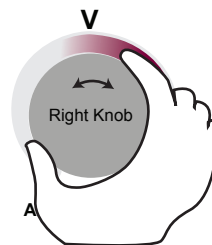
Select the weld process (Control No 3) you wish to view Advanced Features for.



Then press and release the Advanced Features button (Control No 5) to enter or exit from the Advanced Features programming function of the welder.

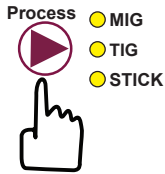


The Advanced Features menu items are viewed by turning the left knob (Control No 6) to move forward or backward through the list. The function names in the menu will be displayed in abbreviated form in the left alpha-numeric display. In the case of two part names or abbreviations, the left display will alternately flash the first part of the function name and then the second part, followed by a brief “blank” interval. For each function, the right alpha-numeric display will show its present value.

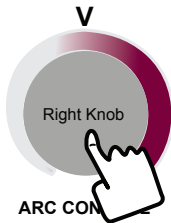


To change the value of that parameter, simply turn the right knob (Control No 7) to change it. If the setting has been changed from its previous value the welder will save the new value when the left knob is turned to view the next parameter, or if the user activates a control to cause the welder to exit Advanced Features mode as described earlier. Once the beginning or end of the menu list is reached, additional turning of the left knob in that direction will not result in any change of the displayed parameter.

The Advanced Features control functions are in order with the user’s process steps when setting up to operate the welder in the selected welding process modes (MIG, LIFT TIG, STICK). The menu functions shown in Advanced Features Mode are mostly dependent on the currently selected weld process mode of the machine.

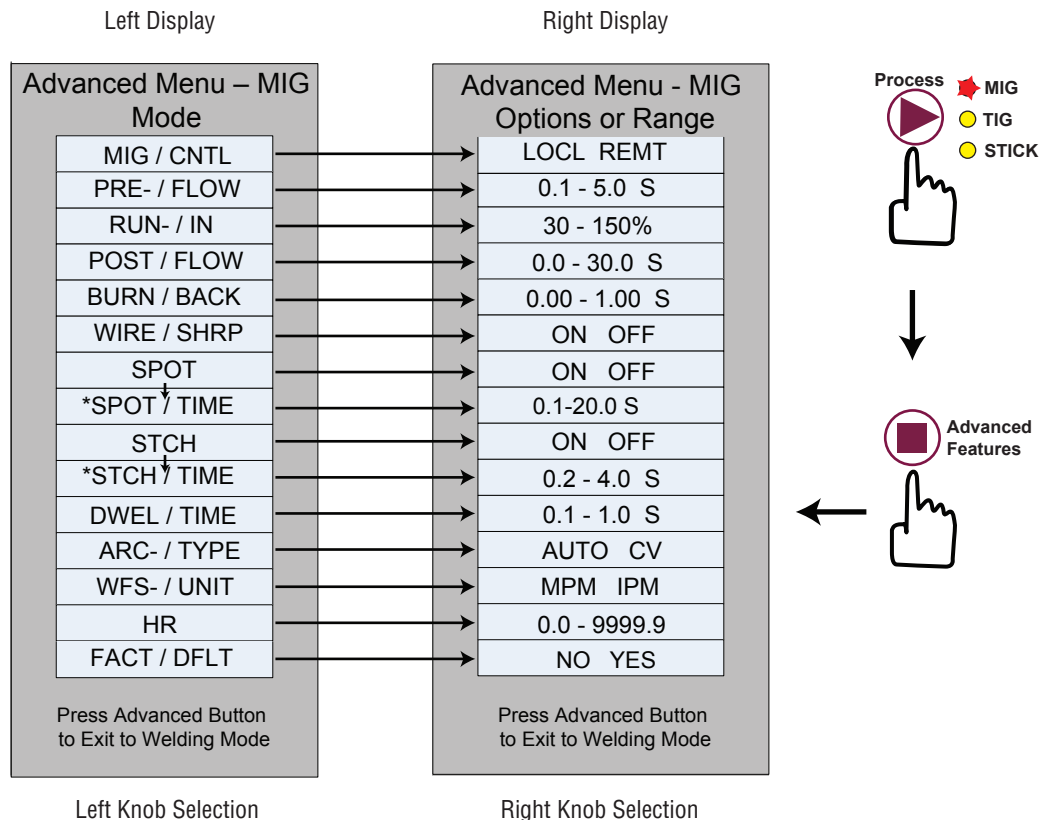


If the welder is in Advanced Features mode and the Weld Process Selection button (Control No 3) is pressed, the welder will exit Advanced Features mode, saving any change made, and change to the next weld process function in the sequence: MIG, LIFT TIG, STICK. (See previous note) If you wish to view the Advanced Features for the next process you will need to enter the Advanced Features function again.



If the welder is in Advanced Features mode and the right knob (Control No 7) is pressed for one (1) second (to enter Arc Control Function) the welder will exit Advanced Features mode, saving any change made, and enter the Arc Control Function for the currently selected weld process.

MIG (GMAW/FCAW) Mode Advanced Features Menu Map



* SPOT TIME and STCH TIME are only active when SPOT or STCH are "ON".
 Note "SPOT" and "STCH" are MUTUALLY EXCLUSIVE functions. If the user enables either function and the system detects that the OTHER function is already ON, the system will automatically turn the OTHER conflicting function OFF.
 Left Display: Where (2) items shown, e.g. RUN- / IN, the display will alternate (flash) between the (2) items

Figure 3-5: MIG Advanced Menu

Function	Left Display	Right Display (Factory Default Values)	Limits	Comments
MIG Operator Controls	MIG/CNTL	LOCL	LOCL - REMT	LOCL = Local control of the Wirespeed and Voltage with the machines controls. REMT = Remote control of the Wirespeed and Voltage with an accessory device.
Pre Flow (MIG Setting)	PRE-/FLOW	0.1 S	0.0 – 5 S	Shielding gas flows for the time specified before an arc is initiated.
Run In	RUN/IN	70%	30 – 150 %	Wirespeed runs as a percentage of preview wire-speed until an arc is struck.
Post Flow (MIG Setting)	POST/FLOW	0.5 S	0.0 – 30 S	Shielding gas flows for the time specified after an arc has extinguished.
Burn Back	BURN/BACK	0.15 S	0.00 – 1.00 S	The time difference between turning the wire feed OFF before the voltage is turned OFF.
Wire Sharp	WIRE/SHRP	ON	OFF – ON	Wire Sharp adds a burst of current at the end of a weld to remove the ball at the end of the wire. This improves the restart of the next weld.
Spot	SPOT	OFF	OFF – ON	Spot is used to weld two thin plates together at a desired location by melting the top & bottom plates together to form a nugget between them. The weld time is set by the Spot Time.
Spot Time (Only shown/ enabled if Spot=ON)	SPOT/TIME	2.0 S	0.1 – 20.0 S	Spot Time is the time used for the Spot weld mode.
Stitch	STCH	OFF	OFF – ON	Stitch is used to weld two or more components by stitch or interval weld together. The weld time is set by the Stitch Time and the non weld time is set by the Dwell Time.
Stitch Time (Only shown/ enabled if Stitch=ON)	STCH/TIME	2.0 S	0.2 – 4.0 S	Stitch Time is the time used for the weld time in Stitch weld mode.
Dwell Time (Only shown/ enabled if Stitch=ON)	DWEL/TIME	0.5 S	0.1 – 1.0 S	Dwell Time is the time used for the non weld time in Stitch weld mode.
Arc Type	ARC-/TYPE	AUTO	AUTO – CV-M	Auto is an optimized arc control for dip transfer welding with minimal spatter on mild steel with mixed shielding gases. CV-M is the traditional constant-voltage arc control for all other welding.
Wire Feed Speed Units	WFS/UNIT	IPM	MPM – IPM	MPM provides preview wirespeed in Meters Per Minute. IPM provides preview wirespeed in Inches Per Minute.

Function	Left Display	Right Display (Factory Default Values)	Limits	Comments
Arc Hour Accumulated Runtime	HR	0.0	0.0 – 9999.9	Provides Arc On Hours that the power source has welded. The number displayed is in hours and read only. It will rollover to 0 once 10,000 hours have been reached.
Restore Factory Defaults	FACT/DFLT	NO	NO – YES	When YES is selected all the user adjustable values in this table (except Arc Hour Accumulated Runtime) are reset to the Factory Default Values.

LIFT TIG Mode Advanced Features Menu Map

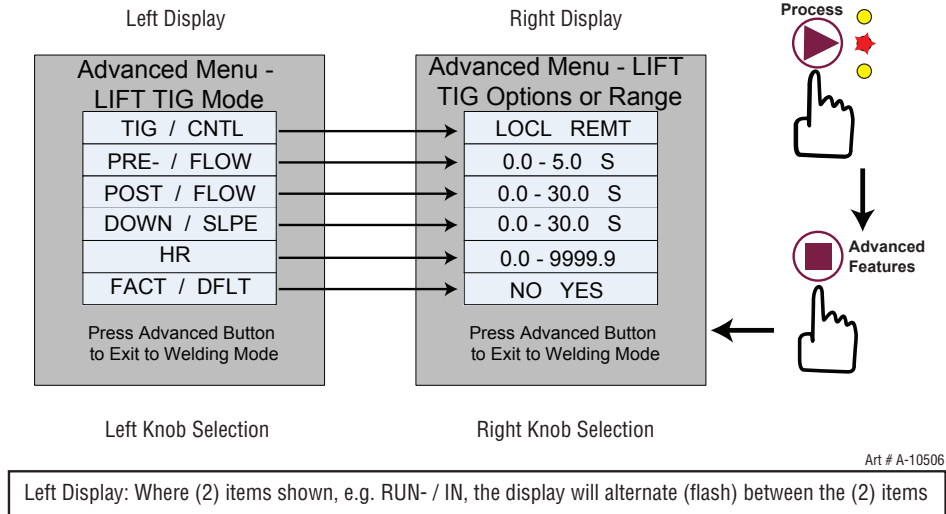


Figure 3-6: LIFT TIG Advanced Menu

Function	Left Display	"Right Display (Factory Default Values)"	Limits	Comments
LIFT TIG Operator Controls	LIFT TIG/ CNTL	REMT	LOCL - REMT	LOCL = Local control of the Amps with the machines controls REMT = Remote control of the Amps with an accessory device
Pre Flow (LIFT TIG Setting)	PRE-/FLOW	0.1 S	0.0 – 5 S	Shielding gas flows for the time specified before an arc is initiated
Post Flow (LIFT TIG Setting)	POST/FLOW	10.0 S	0.0 – 30 S	Shielding gas flows for the time specified after an arc has extinguished

Function	Left Display	"Right Display (Factory Default Values)"	Limits	Comments
Down Slope	DOWN/SLPE	0.0 S	0.0 – 30 S	In "2T" (unlatched), the unit will enter down slope mode as soon as the trigger switch is released (ie if Down Slope is set to 5.0 S, the unit will ramp down from the present welding current to zero over 5 seconds). In "4T" (latched), to enter down slope mode the trigger switch must be held in for the selected time period (ie press and release trigger switch to commence welding, then press and hold trigger switch again to enter down slope mode). Should the trigger switch be released during the down slope time, the output will cease immediately in "4T" only.
Arc Hour Accumulated Run-time	HR	0.0	0.0 – 9999.9	Provides Arc On Hours that the power source has welded. The number displayed is in hours and read only. It will rollover to 0 once 10,000 hours have been reached.
Restore Factory Defaults	FACT/DFLT	NO	NO – YES	When YES is selected all the user adjustable values in this table (except Arc Hour Accumulated Runtime) are reset to the Factory Default Values.

STICK Mode Advanced Features

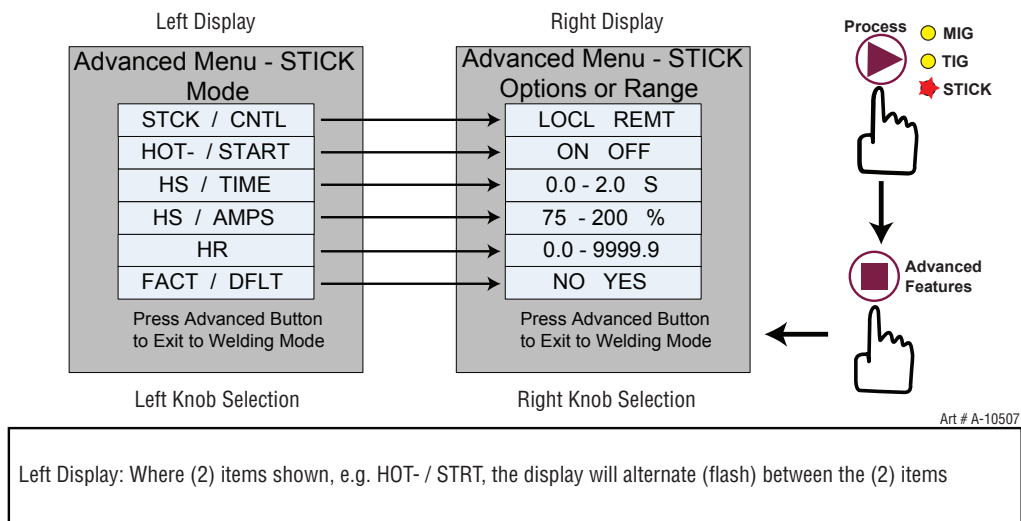


Figure 3-7: STICK Advanced Menu

Function	Left Display	Right Display (Factory Default Values)	Limits	Comments
STICK Operator Controls	STCK/CNTL	LOCL	LOCL - REMT	LOCL = Local control of the Amps with the machines controls REMT = Remote control of the Amps with an accessory device

Function	Left Display	Right Display (Factory Default Values)	Limits	Comments
Hot Start	HOT/STRT	ON	OFF – ON	Hot Start is used to improve the start characteristics for STICK electrodes, e.g. low hydrogen electrodes.
Hot Start Time	TIME/HS	0.5 S	0.0 - 2.0 S	Hot Start Time is the time that the Hot Start Amps is applied.
Hot Start Amps	AMPS/HS	140%	75 – 200%	Hot Start Amps sets the peak start current, e.g. 100A at 140% = 140A
Arc Hour Accumulated Run-time	HR	0.0	0.0 – 9999.9	Provides Arc On Hours that the power source has welded. The number displayed is in hours and read only. It will rollover to 0 once 10,000 hours have been reached.
Restore Factory Defaults	FACT/DFLT	NO	NO – YES	When YES is selected all the user adjustable values in this table (except Arc Hour Accumulated Runtime) are reset to the Factory Default Values.

3.08 Attaching the Tweco MIG Gun

1. Unscrew the Locking Screw in the MIG Gun Adapter located inside the Wire Feed Compartment.
2. Push the Tweco MIG Gun into MIG Gun Adaptor firmly using a twisting action.
3. Lock the Tweco MIG Gun into the MIG Gun Adaptor by turning the Locking Screw clockwise in the MIG Gun Adapter within the Wire Feed Compartment to secure the Tweco MIG Gun in position.

NOTE

Failure to properly lock the Tweco MIG Gun into the MIG Gun Adapter will result in the Tweco MIG Gun being pushed out of the MIG Gun Adapter by the MIG welding wire or lack of shielding gas (porosity in the weld) at the weld zone.

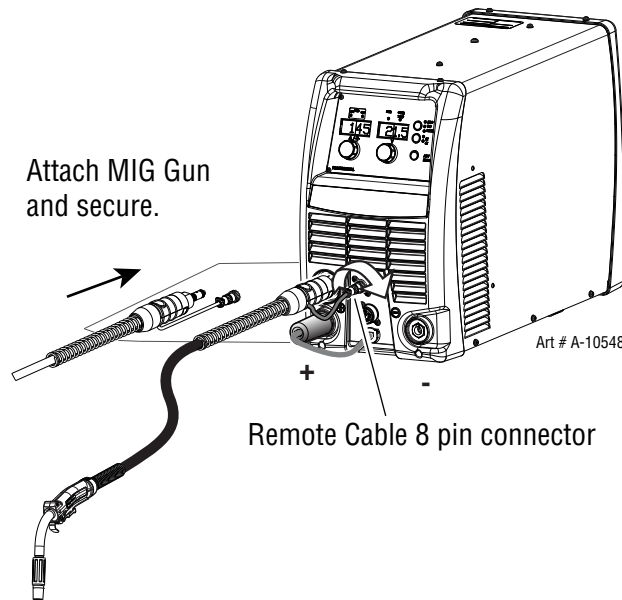


Figure 3-8: Mount MIG Gun Cable to Adapter Socket

4. If equipped, align the keyways of the MIG Gun Switch connector pigtail with the 8 pin receptacle to the right of the MIG Gun cable and plug them together. Secure by turning the locking ring to the right (clockwise). Refer to Figure 3-8.

NOTE

When disconnecting the MIG Gun trigger switch leads from the machine, DO NOT pull on the wires. Loosen the locking ring and gently pull the plug out of the socket.

3.09 Installing a 12.5 lb spool (8" diameter)

In order to fit a 12.5 lb spool (8" diameter) assemble parts in the sequence shown in Figure 3-9.

Installation of wire spool.

1. Remove Wire Spool Hub Retaining Clip. Grasp the loop and pull.
2. Place Wire Spool onto the hub, loading it so that the wire will feed off the bottom of the spool as the spool rotates counter clockwise. Make sure to align the spool alignment pin on the hub with the mating hole in the wire spool.
3. Replace the Wire Spool Hub Retaining Clip in the set of holes closest to the spool.

NOTE

The Hub tension has been pre-adjusted at the factory. However if adjustment is required, refer to section 3.16



CAUTION

Use care in handling the spooled wire as it will tend to "unravel" when loosened from the spool. Grasp the end of the wire firmly and don't let go of it.

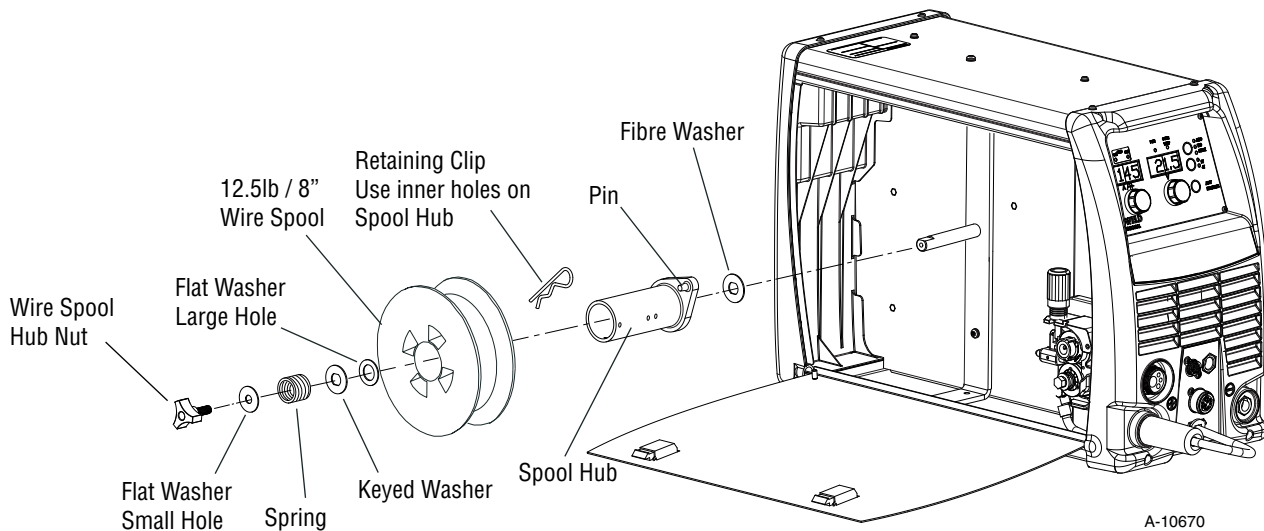


Figure 3-9: 12.5 lb 8" Spool Installation

A-10670

3.10 Installing a Standard Spool (12" diameter)

As delivered from the factory, the unit is set for a 33 lb. or 12" spool.

Installation of wire spool. Refer to Figure 3-10.

1. Remove Wire Spool Hub Retaining Clip. Grasp the loop and pull.
2. Place Wire Spool onto the hub, loading it so that the wire will feed off the bottom of the spool as the spool rotates counter clockwise. Make sure to align the spool alignment pin on the hub with the mating hole in the wire spool.
3. Replace the Wire Spool Hub Retaining Clip in the set of holes closest to the spool.

NOTE

The Hub tension has been pre-adjusted at the factory. However if adjustment is required, refer to Section 3.16



CAUTION

Use care in handling the spooled wire as it will tend to "unravel" when loosened from the spool. Grasp the end of the wire firmly and don't let go of it.

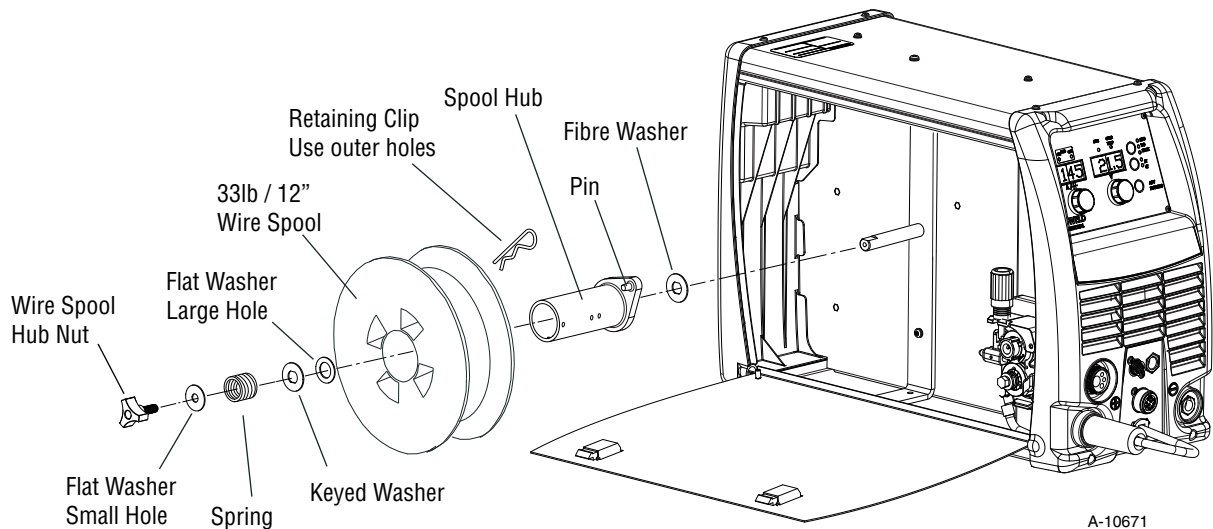


Figure 3-10: Standard 33 lb 12" Spool Installation

3.11 Inserting Wire into the Feed Mechanism



WARNING

ELECTRIC SHOCK CAN KILL! Make certain the input power is disconnected from the power source before proceeding. DO NOT reattach the input power until told to do so in these instructions.

1. Loosen the Spring Pressure Adjusting Knob if needed and swing it down (First part of Figure 3-11)
2. Move the Pressure (top) Roller Arm by swinging it to the right. (Second part of Figure 3-11)
3. Make sure the end of the wire is free of any burrs and is straight. Pass the end of wire through the Inlet Wire Guide and over the Feedroll. Make certain the proper groove is being used. (Second part of Figure 3-11)
4. Pass the MIG wire over the drive roll groove, through the outlet guide and out past the MIG Gun Adaptor. Then fit the MIG Gun as per Section 3.08 ensuring the MIG wire passes into the MIG Gun liner of the MIG Gun.)
5. Close the Pressure Roller Arm. (Figure 3-12)
6. Swing the Spring Pressure Adjusting Knob back into place. (Figure 3-12)
7. Use the Spring Pressure Adjusting Knob to create a “snug” condition. (Clockwise to Tighten and Counter Clockwise to loosen). (Figure 3-12)
8. Figure 3-13 shows the result with wire installed. Continue to the next section for proper setting of tension.

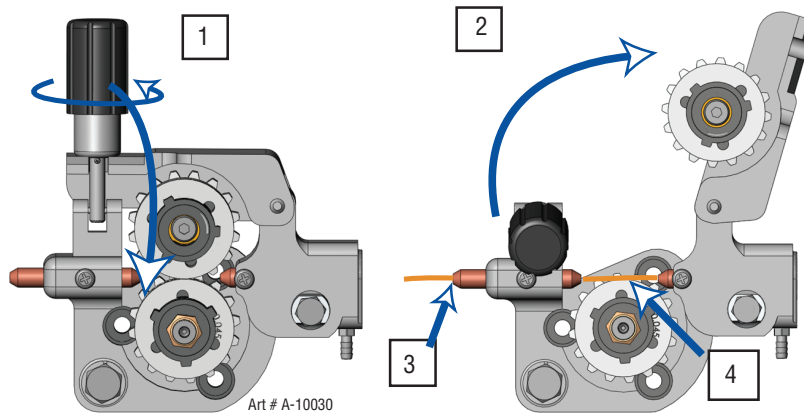


Figure 3-11: Opening Pressure Arm and Inserting Wire

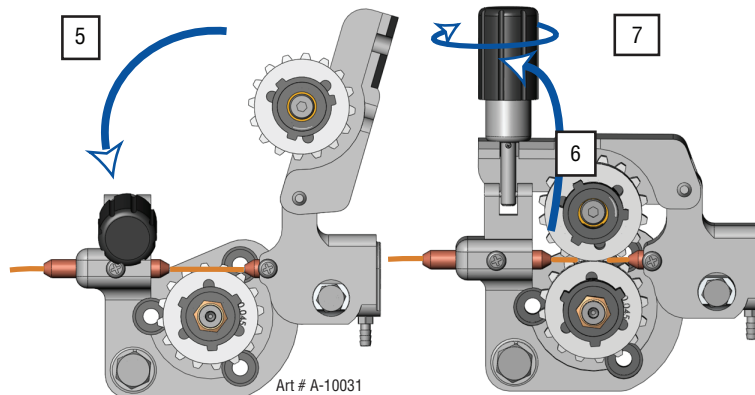


Figure 3-12: Closing Pressure Arm and Adjusting Tension

3.12 Feed Roller Pressure Adjustment

NOTE

Before attempting to set the drive roller pressure you must select GMAW mode on the front panel. See earlier in section 3 for information on how to select this feature. Once selected it will allow the activation of the drive roll when the trigger on the MIG Gun is activated.

The roller on the swing arm applies pressure to the grooved roller via an adjustable tension device. The Tension Adjuster should be set to a minimum pressure that will provide satisfactory wire feed without slippage. If slipping occurs, and inspection of the wire out of the MIG Gun reveals no deformation or wear, the conduit liner should be checked for kinks or clogging from metal flakes. If this is not the cause of slipping, the feedroll pressure can be increased by rotating the Tension Adjusting knob clockwise. The use of excessive pressure may cause rapid wear of the feed roller, motor shaft and motor bearings.

NOTE

Genuine TWECO contact tips and liners should be used. Many non-genuine liners use inferior materials which can cause wire feed problems.

3.13 Feed Roller Alignment

The bottom Feed Roll is adjustable in and out to provide for best alignment of wire as it feeds into the outlet guide. To adjust the roll do the following and refer to Figure 3-13. Note, the welding wire is not shown in order to more clearly see the groove in the feed roll.

1. Place a wrench on the adjusting bolt (number 2) and hold in place while you loosen the locking screw (number 1) with a hex wrench
2. With the locking screw loosened, turn the adjusting bolt right or left to align the feed roll (number 3) so the groove is aligned with the outlet guide (number 4).
3. With the feed roll aligned, place a wrench on the adjusting bolt and hold it in place while tightening the locking screw with the hex wrench. If the adjusting bolt moves before the locking screw is secured then the alignment will change.

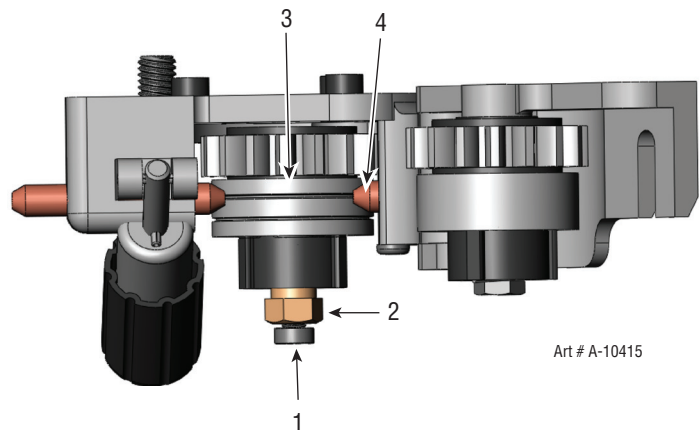


Figure 3-13: Top View of Feed Plate with Pressure Arm Open

NOTE

It may not be possible to align with both the inlet and outlet guide at the same time. The outlet guide is the one that needs to be aligned to for best wire feeding.

3.14 Changing the Feed Roll

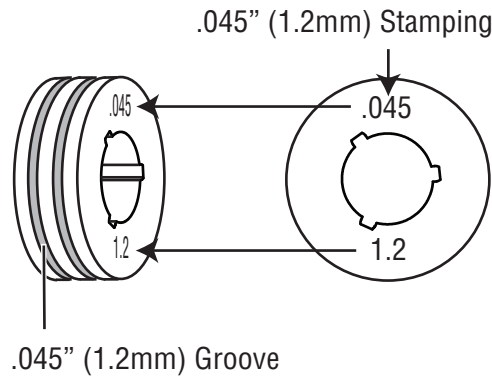
NOTE

Feedrolls often come with a rust prohibitive coating that needs to be cleaned off before installation.

A Feedroll consists of two different sized grooves. As delivered from the factory the drive roll is installed for .035" / .045" (0.9 / 1.2 mm).

The stamped marking on the feedroll refers to the groove furthest from the stamped marking. When mounted, that will be the groove closest to the motor and the one to thread.

To ensure proper wire feed, the groove closest to the motor must match the electrode wire size being used.



Art: A-07150_AB

The size that is visible when fitting the feedroll is the groove size in use.

Figure 3-14: Feedroll Example

NOTE

All grooved feed rolls have their wire size or range stamped on the side of the roll. On rolls with different size grooves, the outer (visible when installed) stamped wire size indicates the groove in use.

Refer to feed roll kit in the Appendix for the proper selection and ordering of feed roll kits. Kit includes drive rolls, an input wire guide and an output wire guide for a specific wire type and size.

Feed rolls are removed by twisting the feed roll retainer cap and aligning the retaining knob splines/tabs with the drive gear splines. Feedrolls are installed by putting the feedroll onto the drive gear splines and twisting the feedroll retainer cap so that the splines/tabs rest against the face of the feedroll where they will click into place.

NOTE

Installation of all styles of feed rolls for the Fabricator 252i are identical.



WARNING

The welding wire is electrically Hot if it is fed by depressing MIG Gun switch. Electrode contact to work piece will cause an arc with MIG Gun switch depressed.

3.15 Input And Output Wire Guide Installation

NOTE

.035" / .045" (0.9 / 1.2 mm) feed rolls and guides are installed from the factory. Other sizes need to be purchased separately.

Input Wire Guide - Install (the shorter one) by loosening the input guide lock screw and inserting the guide into the hole in the feedhead assembly. Adjust the guide so that it is clear of the feed rolls and Tighten the input guide lock screw.

NOTE

Before tightening the input and output guide lock screws, install the drive roll to help in the alignment of the wire guides.

Output Wire Guide - With the MIG Gun removed, loosen the MIG Adapter Lock Nut. This will aid with alignment. With Mig gun removed, loosen the Mig Gun Adapter Lock nut. Then loosen Output guide Lock screw .Install the output wire guide(the longer one) by inserting the conical end part way into the Tweco Adapter from the front of the machine. Now install the MIG Gun pressing the output guide further in until the tip of the guide is as close to the feed rolls as practical. Secure the MIG Gun. tighten the MIG Adapter Lock Nut then tighten the output guide lock screw.

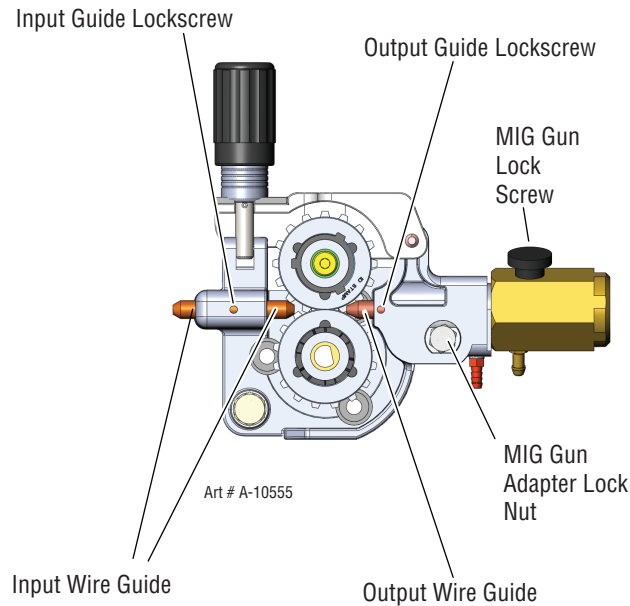


Figure 3-15: Wire Guide Installation

3.16 Wire Reel Brake

The wire reel hub incorporates a friction brake which is adjusted during manufacture for optimum braking. If it is considered necessary, adjustment can be made by turning the tri-lobe nut inside the open end of the wire reel hub. Clockwise rotation will Tighten the brake. (Refer to Figure 3-16).

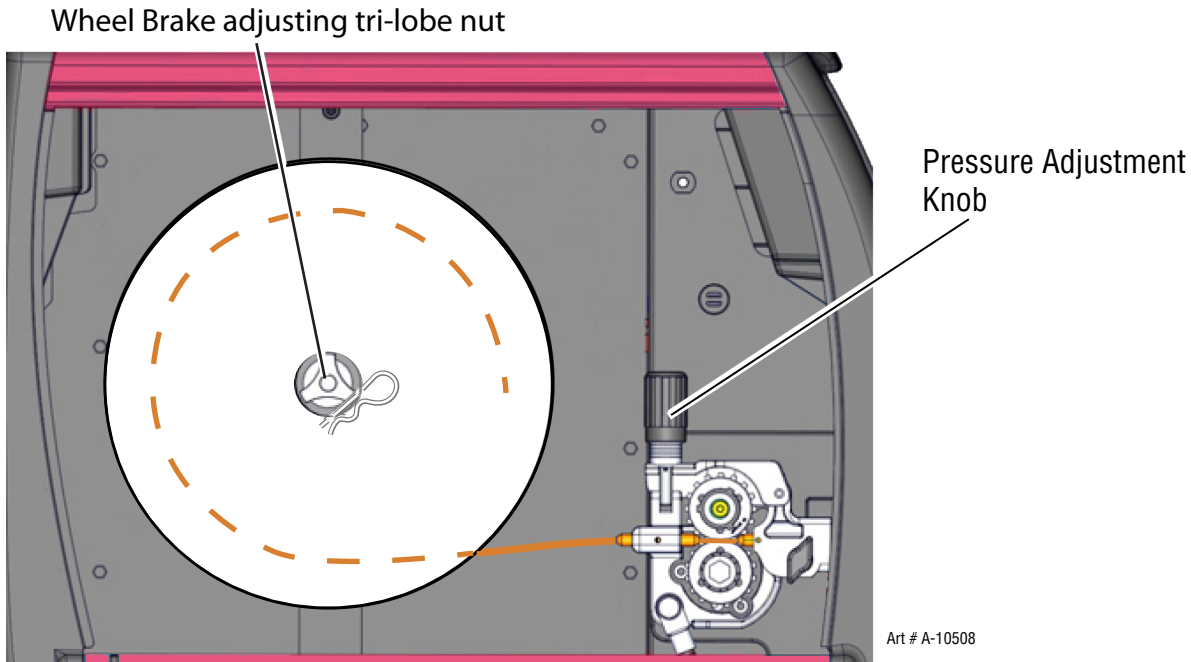


Figure 3-16: Wire Installed



Excessive tension on the brake will cause rapid wear of mechanical wire feed parts, over heating of electrical componentry and possibly an increased incidence of wire Burnback into the contact tip.

NOTE

Correct adjustment will result in the wire reel circumference continuing no further than 3/4" (19 mm) after release of the MIG Gun trigger switch. The wire should be slack without becoming dislodged from the reel.

3.17 Shielding Gas Regulator Operating Instructions



This equipment is designed for use with welding grade (Inert) shielding gases only.

NOTE

Shielding Gas is not required if the unit is used with self shielded FCAW (flux cored arc welding) wires

Shielding Gas Regulator Safety

This regulator is designed to reduce and control high pressure gas from a cylinder or pipeline to the working pressure required for the equipment using it.

If the equipment is improperly used, hazardous conditions are created that may cause accidents. It is the users responsibility to prevent such conditions. Before handling or using the equipment, understand and comply at all times with the safe practices prescribed in this instruction.

SPECIFIC PROCEDURES for the use of regulators are listed below.

1. NEVER subject the regulator to inlet pressure greater than its rated inlet pressure.
2. NEVER pressurize a regulator that has loose or damaged parts or is in a questionable condition. NEVER loosen a connection or attempt to remove any part of a regulator until the gas pressure has been relieved. Under pressure, gas can dangerously propel a loose part.
3. Do NOT remove the regulator from a cylinder without first closing the cylinder valve and releasing gas in the regulator high and low pressure chambers.
4. Do NOT use the regulator as a control valve. When downstream equipment is not in use for extended periods of time, shut OFF the gas at the cylinder valve and release the gas from the equipment.
5. OPEN the cylinder valve SLOWLY. Close after use.

User Responsibilities

This equipment will perform safely and reliably only when installed, operated and maintained, and repaired in accordance with the instructions provided. Equipment must be checked periodically and repaired, replaced, or reset as necessary for continued safe and reliable performance. Defective equipment should not be used. Parts that are broken, missing, obviously worn, distorted, or contaminated should be replaced immediately.

The user of this equipment will generally have the sole responsibility for any malfunction, which results from improper use, faulty maintenance, or by repair by anyone other than an accredited repairer.



CAUTION

Match regulator to cylinder. NEVER CONNECT a regulator designed for a particular gas or gases to a cylinder containing any other gas.

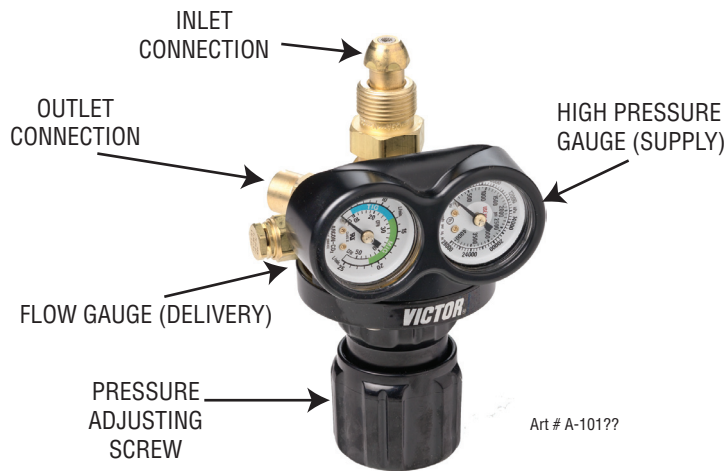


Figure 3-17: Adjusting Flow Rate

NOTE

The regulator/flow meters used with argon based and carbon dioxide shielding gases are different. The regulator/flow meter supplied is for argon based shielding gases. If carbon dioxide is to be used a suitable carbon dioxide regulator/flow meter will need to be fitted.

NOTE

All valves downstream of the regulator must be opened to obtain a true flow rate reading on the outlet gauge. (Welding power source must be triggered) Close the valves after the pressure has been set.

Installation

1. Remove cylinder valve plastic dust seal. Clean the cylinder valve outlet of impurities that may clog orifices and damage seats before connecting the regulator.

Crack the valve (open then close) momentarily, pointing the outlet away from people and sources of ignition. Wipe with a clean lint free cloth.

2. Match regulator to cylinder. Before connecting, check that the regulator label and cylinder marking agree and that the regulator inlet and cylinder outlet match. NEVER CONNECT a regulator designed for a particular gas or gases to a cylinder containing any other gas.
3. Connect the regulator inlet connection to cylinder or pipeline and Tighten it firmly but not excessively, with a suitable spanner.
4. Attach supplied gas line between the regulator output and the desired input at the rear of the power source. MIG Spool Gun and LIFT TIG in the bottom fitting and regular MIG Gun in the top fitting.

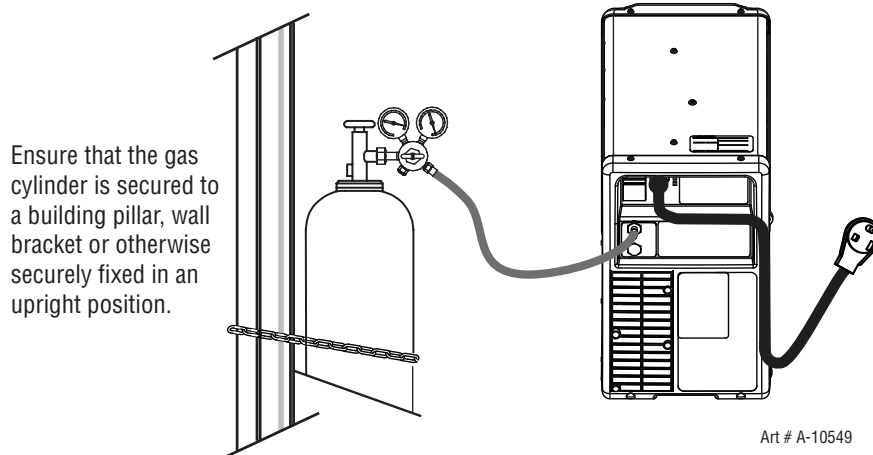


Figure 3-18: Attach gas line to proper inlet

5. To protect sensitive down-stream equipment a separate safety device may be necessary if the regulator is not fitted with a pressure relief device.

Operation

With the regulator connected to cylinder or pipeline, and the adjustment screw/knob fully disengaged, pressurize as follows:

1. Stand to one side of regulator and slowly open the cylinder valve. If opened quickly, a sudden pressure surge may damage internal regulator parts.
2. With valves on downstream equipment closed, adjust regulator to approximate working pressure. It is recommended that testing for leaks at the regulator connection points be carried out using a suitable leak detection solution or soapy water.
3. Purge air or other unwanted welding grade shielding gas from equipment connected to the regulator by individually opening then closing the equipment control valves. Complete purging may take up to ten seconds or more, depending upon the length and size of the hose being purged.

Adjusting Flow Rate



Figure 3-19: Adjust Flow Rate

With the regulator ready for operation, adjust working flow rate as follows:

1. Slowly turn adjusting screw/knob in (clockwise) direction until the outlet gauge indicates the required flow rate.

NOTE

It may be necessary to re-check the shielding gas regulator flow rate following the first weld sequence due to back pressure present within shielding gas hose assembly.

2. To reduce flow rate, allow the welding grade shielding gas to discharge from regulator by opening the downstream valve. Bleed welding grade shielding gas into a well ventilated area and away from any ignition source. Turn adjusting screw counterclockwise, until the required flow rate is indicated on the gauge. Close downstream valve.
3. Adjust regulator pressure adjusting screw to the required flow rate, indicated on gauge dial. (Refer to Figure 3-19)

The gas flow rate should be adequate to cover the weld zone to stop weld porosity. Excessive gas flow rates may cause turbulence and weld porosity.

Argon or argon based gas flow rates:

- Workshop welding: 28 - 35 CFH
- Outdoor welding: 35 - 46 CFH

Shutdown

Close cylinder valve whenever the regulator is not in use. To shut down for extended periods (more than 30 minutes).

1. Close cylinder or upstream valve LIFT TIGHTly.
2. Open downstream equipment valves to drain the lines. Bleed gas into a well ventilated area and away from any ignition source.
3. After gas is drained completely, disengage adjusting screw and close downstream equipment valves.
4. Before transporting cylinders that are not secured on a cart designed for such purposes, remove regulators.

3.18 Set-up MIG (GMAW) Welding with Gas Shielded MIG Wire

The Fabricator 252i is supplied with a Tweco 250 AMP air-cooled MIG Gun. The Tweco MIG Gun is designed with an ergonomic handle and fewer parts to cause performance problems. The Tweco MIG Gun uses standard readily available Tweco consumable parts.

When using a non shielded wire, you need to have an external gas source attached to the unit.

For most Non Shielded Wire, connect the Work Lead to the negative - terminal and connect the MIG Gun polarity lead to the positive + terminal. If in doubt, consult the MIG electrode wire manufacturer.

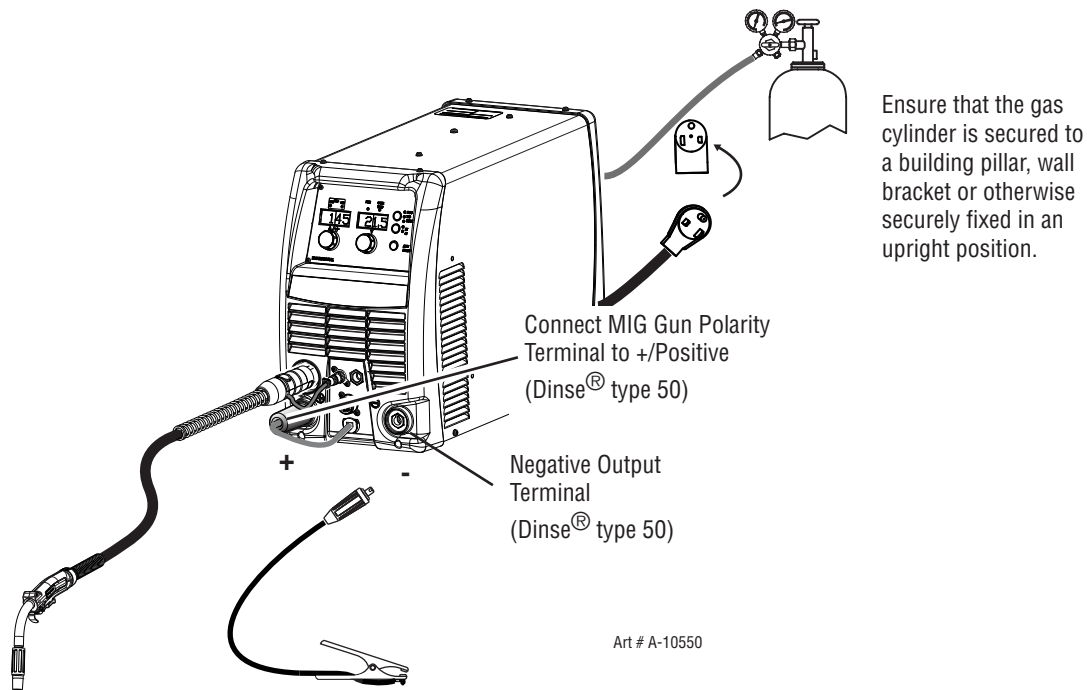
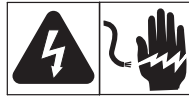


Figure 3-20: MIG Gun Polarity Positive

1. Turn the Main ON/OFF switch OFF (located on the rear panel).
2. Check that the MIG wire size, contact tip, MIG Gun liner and drive roll groove are all the same size before fitting the MIG wire into the Power Source.
3. Connect the MIG Gun Polarity Lead to the positive welding terminal (+). If in doubt, consult the MIG electrode wire manufacturer. Welding current flows from the Power Source via heavy duty bayonet type terminals. It is essential, however, that the male plug is inserted and turned securely to achieve a sound electrical connection.
4. Fit the MIG wire spool and MIG Gun to the Power Source. (Refer to section 3.08 to 3.12).
5. Connect the work lead to the negative welding terminal (-). If in doubt, consult the MIG electrode wire manufacturer. Welding current flows from the Power Source via heavy duty bayonet type terminals. It is essential, however, that the male plug is inserted and turned securely to achieve a sound electrical connection.
6. Fit the welding grade shielding gas regulator/flow gauge to the shielding gas cylinder (refer to Section 3.17) then connect the shielding gas hose from the rear of the power source to the regulator/flow gauge outlet.
7. Turn the Main ON/OFF switch ON (located on the rear panel).
8. Select MIG mode with the process selection control. (Refer to Section 3.06.3 for further information)
9. Remove the MIG Gun nozzle and contact tip.
10. Depress MIG Gun trigger to feed the MIG wire out through the MIG Gun gas diffuser then fit the contact tip on the MIG wire and securely fasten it to the MIG Gun then fit the nozzle in place.
11. Refer to the Weld Guide located on the inside of the wire feed compartment door for further information on Voltage/Wirespeed settings.



WARNING

Before connecting the work clamp to the work make sure the mains power supply is switched OFF.

Secure the welding grade shielding gas cylinder in an upright position by chaining it to a suitable stationary support to prevent falling or tipping.



CAUTION

Loose welding terminal connections can cause overheating and result in the male plug being fused in the terminal.

Remove any packaging material prior to use. DO NOT block the air vents at the front or rear of the Welding Power Source.

NOTE

Depending on the type of wire you will be using the MIG Gun polarity may need to be switched. Follow the wire manufacturers recommendation.

3.19 Set-up for MIG (FCAW) Welding with Gasless MIG Wire

The Fabricator 252i is supplied with a Tweco 250 AMP air-cooled MIG Gun. The Tweco MIG Gun is designed with an ergonomic handle and fewer parts to cause performance problems. The Tweco MIG Gun uses standard readily available Tweco consumable parts.

When using a gasless flux cored wire, you do not need to have an external gas source attached to the unit. For most Self Shielded Flux Cored Wire, connect the Work Lead to the positive + terminal and connect the MIG Torch polarity lead to the negative - terminal. If in doubt, consult the Flux Cored electrode wire manufacturer.

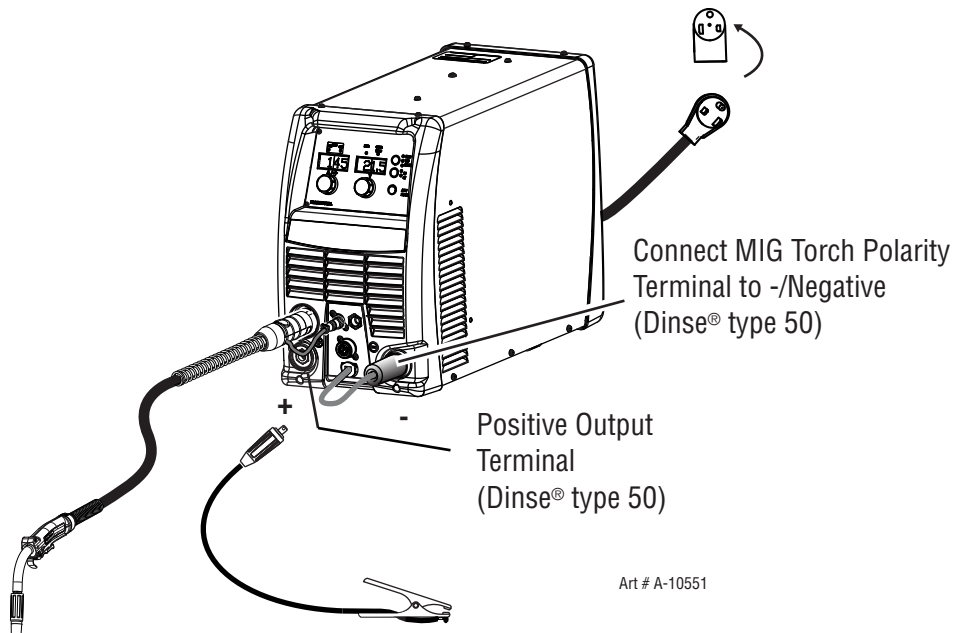


Figure 3-21: MIG Gun Polarity Negative

1. Turn the Main ON/OFF switch OFF (located on the rear panel).

2. Check that the MIG wire size, contact tip, MIG Gun liner and drive roll groove are all the same size before fitting the MIG wire into the Power Source.
3. Connect the MIG Gun Polarity Lead to the negative welding terminal (-). If in doubt, consult the MIG electrode wire manufacturer. Welding current flows from the Power Source via heavy duty bayonet type terminals. It is essential, however, that the male plug is inserted and turned securely to achieve a sound electrical connection.
4. Fit the MIG (FCAW) wire spool and MIG Gun to the Power Source. (Refer to section 3.08 to 3.12).
5. Connect the work lead to the positive welding terminal (+). If in doubt, consult the MIG electrode wire manufacturer. Welding current flows from the Power Source via heavy duty bayonet type terminals. It is essential, however, that the male plug is inserted and turned securely to achieve a sound electrical connection.
6. If gasless MIG (FCAW) wire is fitted then shielding gas is not required for welding. Otherwise fit the welding grade shielding gas regulator/flow gauge to the shielding gas cylinder (refer to Section 3.17) then connect the shielding gas hose from the rear of the power source to the regulator/flow gauge outlet.
7. Turn the Main ON/OFF switch ON (located on the rear panel).
8. Select MIG mode with the process selection control. (Refer to Section 3.06.4 for further information)
9. Remove the MIG Gun nozzle and contact tip.
10. Depress MIG Gun trigger to feed the MIG wire out through the MIG Gun gas diffuser then fit the contact tip on the MIG wire and securely fasten it to the MIG Gun then fit the nozzle in place.
11. Refer to the Weld Guide located on the inside of the wire feed compartment door for further information on Voltage/Wirespeed settings.



WARNING

Before connecting the work clamp to the work make sure the mains power supply is switched OFF.



CAUTION

Loose welding terminal connections can cause overheating and result in the male plug being fused in the terminal.

Remove any packaging material prior to use. DO NOT block the air vents at the front or rear of the Welding Power Source.

NOTE

Depending on the type of wire you will be using the MIG Gun polarity may need to be switched. Follow the wire manufacturers recommendation.

3.20 Set-up for LIFT TIG (GTAW) Welding



WARNING

Before any welding is to begin, be sure to wear all appropriate and recommended safety equipment.

NOTE

The following steps will assume that you have already set up the proper shielding gas as outlined in Sub Section 3.17.

NOTE

The following set up is known as Straight Polarity or DC Electrode Negative. This is commonly used for DC LIFT TIG welding on most materials such as steel and stainless steel.

1. Switch the ON/OFF Switch (located on the rear panel) to OFF.
2. Connect the work lead cable to the positive output terminal, and the LIFT TIG Torch cable to the negative output terminal. Refer to Figure 3-23.
3. Connect the gas line/hose to the proper shielding gas source. Refer to Figure 3-23.
4. Slowly open the Argon Cylinder Valve to the fully open position.
5. Connect the work lead clamp to your work piece.
6. The tungsten must be ground to a blunt point (similar to a pencil) in order to achieve optimum welding results. See illustration. It is critical to grind the tungsten electrode in the direction the grinding wheel is turning. Grind at a 30 degree angle and never to a sharp point.

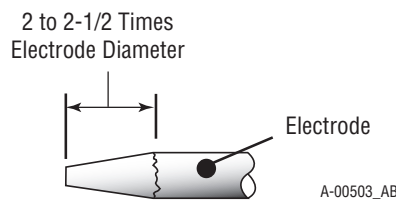


Figure 3-22: Electrode sharpening

7. Install the tungsten with approximately 1/8" to 1/4" (3.2mm to 6.4mm) sticking out from the gas cup, ensuring you have correct sized collet.
8. Tighten the back cap.
9. Turn the switch to the "ON" position. The power L.E.D. light should illuminate.
10. Set the welding process to LIFT TIG.
11. Set the Weld Current Control Knob to the desired amperage.

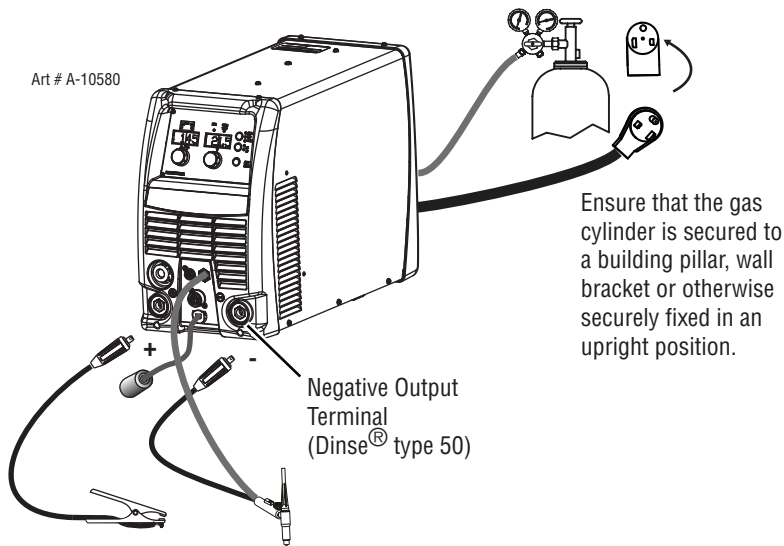


Figure 3-23: Setup for LIFT TIG (GTAW) Welding

12. You are now ready to begin LIFT TIG Welding.

3.21 Set-up for STICK Metal Arc Welding (SMAW)

**WARNING**

Before any welding is to begin, be sure to wear all appropriate and recommended safety equipment.

NOTE

The following set up is known as DC Electrode Positive or reverse polarity. Please consult with the STICK electrode manufacturer for specific polarity recommendations.

1. Switch the ON/OFF Switch (located on the rear panel) to OFF.
2. Attach the STICK and Work Leads as shown in Figure 3-24.

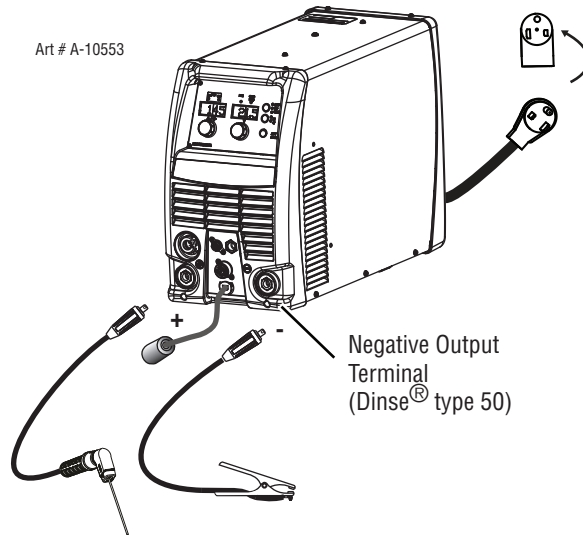


Figure 3-24: Setup for STICK Welding reverse polarity shown.

3. Set the welding process to STICK.
4. Set the Weld Current Control Knob to the desired amperage.
5. Install a STICK electrode in the electrode holder.
6. You are now ready to begin STICK Welding.

NOTE

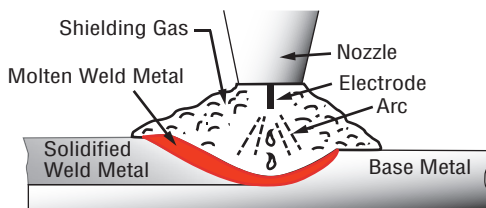
To weld, gently strike the electrode on the work piece to generate a welding arc, and slowly move along the work piece while holding a consistent arc length above base metal.

**SECTION 4:
BASIC WELDING GUIDE**

4.01 MIG (GMAW/FCAW) Basic Welding Technique

Two different welding processes are covered in this section (GMAW and FCAW), with the intention of providing the very basic concepts in using the MIG mode of welding, where a MIG Gun is hand held, and the electrode (welding wire) is fed into a weld puddle, and the arc is shielded by an inert welding grade shielding gas or inert welding grade shielding gas mixture.

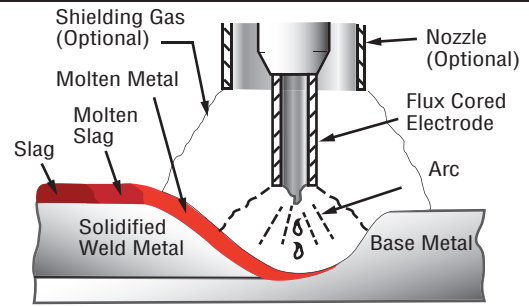
GAS METAL ARC WELDING (GMAW): This process, also known as MIG welding, CO₂ welding, Micro Wire Welding, short arc welding, dip transfer welding, wire welding etc., is an electric arc welding process which fuses together the parts to be welded by heating them with an arc between a solid continuous, consumable electrode and the work. Shielding is obtained from an externally supplied welding grade shielding gas or welding grade shielding gas mixture. The process is normally applied semi automatically; however the process may be operated automatically and can be machine operated. The process can be used to weld thin and fairly thick steels, and some non-ferrous metals in all positions.



GMAW Process Art # A-8991_AB

Figure 4-1

FLUX CORED ARC WELDING (FCAW): This is an electric arc welding process which fuses together the parts to be welded by heating them with an arc between a continuous flux filled electrode wire and the work. Shielding is obtained through decomposition of the flux within the tubular wire. Additional shielding may or may not be obtained from an externally supplied gas or gas mixture. The process is normally applied semi automatically; however the process may be applied automatically or by machine. It is commonly used to weld large diameter electrodes in the flat and horizontal position and small electrode diameters in all positions. The process is used to a lesser degree for welding stainless steel and for overlay work.

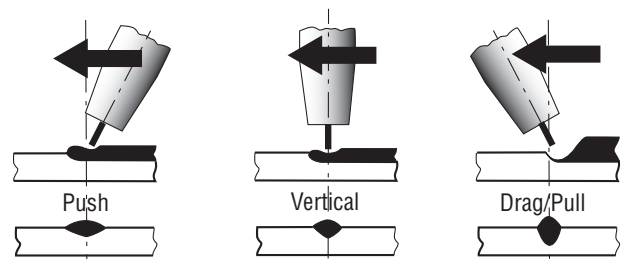


FCAW Process Art # A-08992_AB

Figure 4-2

Position of MIG Gun

The angle of MIG Gun to the weld has an effect on the width of the weld.



Art # A-07185_AB

Figure 4-3

The MIG Gun should be held at an angle to the weld joint. (See Secondary Adjustment Variables below)

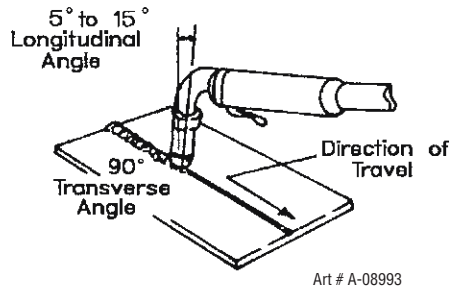
Hold the MIG Gun so that the welding seam is viewed at all times. Always wear the welding helmet with proper filter lenses and use the proper safety equipment.



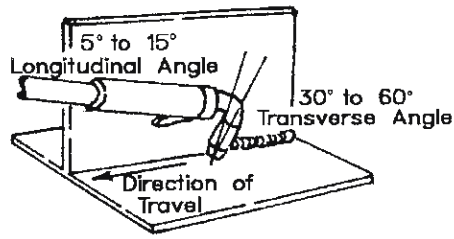
CAUTION

Do NOT pull the MIG Gun back when the arc is established. This will create excessive wire extension (stick-out) and make a very poor weld.

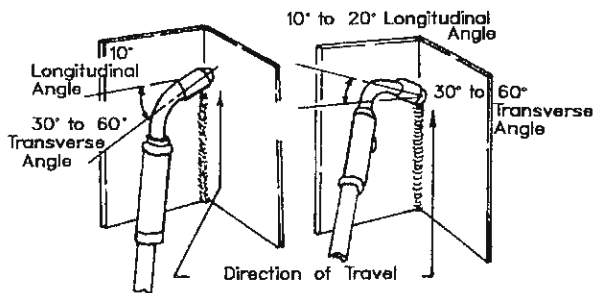
The electrode wire is not energized until the MIG Gun trigger switch is depressed. The wire may therefore be placed on the seam or joint prior to lowering the helmet.



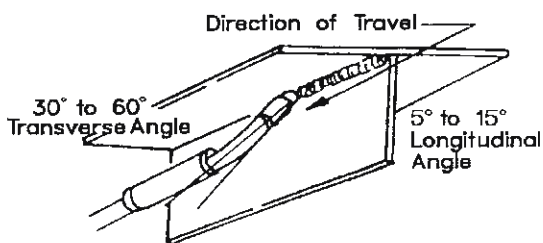
Art # A-08993
Butt & Horizontal Welds
Figure 4-4



Art # A-08994
Horizontal Fillet Weld
Figure 4-5



Art # A-08995
Vertical Fillet Welds
Figure 4-6



Art # A-08996
Overhead Weld
Figure 4-7

Distance from the MIG Gun Nozzle to the Work Piece

The electrode wire stick out from the MIG Gun nozzle should be between 3/8" - 3/4" (10 - 20 mm). This distance may vary depending on the type of joint that is being welded.

Travel Speed

The speed at which the molten pool travels influences the width of the weld and penetration of the welding run.

MIG Welding (GMAW) Variables

Most of the welding done by all processes is on carbon steel. The items below describe the welding variables in short-arc welding of .023 - 1/4" (0.6 mm - 6.4 mm) mild sheet or plate. The applied techniques and end results in the GMAW process are controlled by these variables.

Preselected Variables

Preselected variables depend upon the type of material being welded, the thickness of the material, the welding position, the deposition rate and the mechanical properties. These variables are:

- Type of electrode wire
- Size of electrode wire
- Type of gas (not applicable for FCAW self shielding wires)
- Gas flow rate (not applicable for FCAW self shielding wires)

Primary Adjustable Variables

These control the process after preselected variables have been found. They control the penetration, bead width, bead height, arc stability, deposition rate and weld soundness. They are:

- Arc Voltage
- Welding current (wire feed speed)
- Travel speed

Secondary Adjustable Variables

These variables cause changes in primary adjustable variables which in turn cause the desired change in the bead formation. They are:

1. Sick-out (distance between the end of the contact tube (tip) and the end of the electrode wire). Maintain at about 3/8" (10 mm) stick-out
2. Wire Feed Speed. Increase in wire feed speed increases weld current, Decrease in wire feed speed decreases weld current.

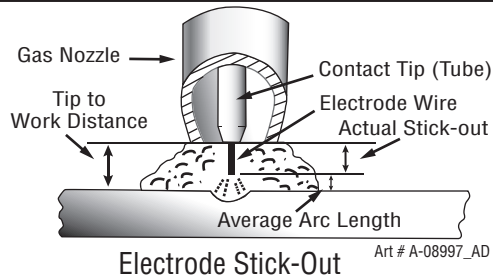


Figure 4-8

3. **Nozzle Angle.** This refers to the position of the MIG Gun in relation to the joint. The transverse angle is usually one half the included angle between plates forming the joint. The longitudinal angle is the angle between the centre line of the MIG Gun and a line perpendicular to the axis of the weld. The longitudinal angle is generally called the Nozzle Angle and can be either trailing (pulling) or leading (pushing). Whether the operator is left handed or right handed has to be considered to realize the effects of each angle in relation to the direction of travel.

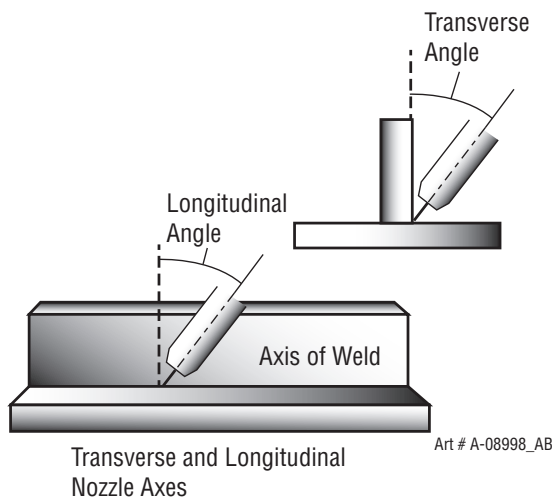
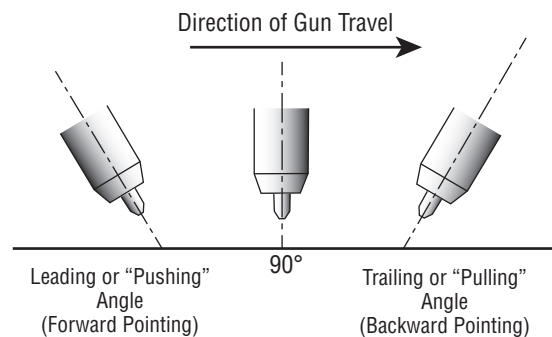


Figure 4-9



Nozzle Angle, Right Handed Operator

Figure 4-10

Establishing the Arc and Making Weld Beads

Before attempting to weld on a finished piece of work, it is recommended that practice welds be made on a sample metal of the same material as that of the finished piece.

The easiest welding procedure for the beginner to experiment with MIG welding is the flat position. The equipment is capable of flat, vertical and overhead positions.

For practicing MIG welding, secure some pieces of 1/16" or 3/16" (1.6 mm or 5.0 mm) mild steel plate 6" x 6" (150 mm x 150 mm). Use .035" (0.9 mm) flux cored gasless wire or a solid wire with shielding gas.

Setting of the Power Source

Power source and Wirefeeder setting requires some practice by the operator, as the welding plant has two control settings that have to balance. These are the Wirespeed control (refer to section 3.06.4) and the welding Voltage Control (refer to section 3.06.10). The welding current is determined by the Wirespeed control, the current will increase with increased Wirespeed, resulting in a shorter arc. Less wire speed will reduce the current and lengthen the arc. Increasing the welding voltage hardly alters the current level, but lengthens the arc. By decreasing the voltage, a shorter arc is obtained with a little change in current level.

When changing to a different electrode wire diameter, different control settings are required. A thinner electrode wire needs more Wirespeed to achieve the same current level.

A satisfactory weld cannot be obtained if the Wirespeed and Voltage settings are not adjusted to suit the electrode wire diameter and the dimensions of the work piece.

If the Wirespeed is too high for the welding voltage, "stubbing" will occur as the wire dips into the molten pool and does not melt. Welding in these conditions normally produces a poor weld due to lack of fusion. If, however, the welding voltage is too high, large drops will form on the end of the wire, causing spatter. The correct setting of voltage and Wirespeed can be seen in the shape of the weld deposit and heard by a smooth regular arc sound. Refer to the Weld Guide located on the inside of the wirefeed compartment door for setup information.

Electrode Wire Size Selection

The choice of Electrode wire size and shielding gas used depends on the following:

- Thickness of the metal to be welded
- Type of joint
- Capacity of the wire feed unit and Power Source
- The amount of penetration required
- The deposition rate required
- The bead profile desired
- The position of welding
- Cost of the wire

4.02 MIG (GMAW/FCAW) Welding Troubleshooting

Solving Problems Beyond the Welding Terminals

The general approach to fix MIG (GMAW/FCAW) welding problems is to start at the wire spool then work through to the MIG Gun. There are two main areas where problems occur with GMAW; Porosity and Inconsistent wire feed.

Problem 1 - Porosity

When there is a gas problem the result is usually porosity within the weld metal. Porosity always stems from some contaminant within the molten weld pool which is in the process of escaping during solidification of the molten metal. Contaminants range from no gas around the welding arc to dirt on the work piece surface. Porosity can be reduced by checking the following points.

FAULT/CONDITION	CAUSE
1 Shielding gas cylinder contents and flow meter.	Ensure that the shielding gas cylinder is not empty and the flow meter is correctly adjusted to 31.75 CFH.
2 Gas leaks.	Check for gas leaks between the regulator/cylinder connection and in the gas hose to the Power Source.
3 Internal gas hose in the Power Source.	Ensure the hose from the solenoid valve to the MIG Gun adaptor has not fractured and that it is connected to the MIG Gun adaptor.
4 Welding in a windy environment.	Shield the weld area from the wind or increase the gas flow.
5 Welding dirty, oily, painted, oxidized or greasy plate.	Clean contaminates off the work piece.
6 Distance between the MIG Gun nozzle and the work piece.	Keep the distance between the MIG Gun nozzle and the work piece to a minimum.
7 Maintain the MIG Gun in good working order.	A Ensure that the gas holes are not blocked and gas is exiting out of the torch nozzle. B Do NOT restrict gas flow by allowing spatter to build up inside the MIG Gun nozzle. C Check that the MIG Gun O-rings are not damaged.

Table 4-1: MIG (GMAW / FCAW) Welding Troubleshooting

Problem 2 - Inconsistent Wire Feed



WARNING

Disengage the feed roll when testing for gas flow by ear.

Wire feeding problems can be reduced by checking the following points.

FAULT	CAUSE
1 Feed roller driven by motor in the cabinet slipped.	Wire spool brake is too tight.
2 Wire spool unwound and tangled.	Wire spool brake is too loose.
3 Worn or incorrect feed roller size	A Use a feed roller matched to the size you are welding. B Replace feed roller if worn.
4 Wire rubbed against the misaligned guides and reduced wire feed ability.	Misalignment of inlet/outlet guides
5 Liner blocked with swarf	A Increased amounts of swarf are produced by the wire passing through the feed roller when excessive pressure is applied to the pressure roller adjuster. B Swarf can also be produced by the wire passing through an incorrect feed roller groove shape or size. C Swarf is fed into the conduit liner where it accumulates thus reducing wire feed ability.
6 Incorrect or worn contact tip	A The contact tip transfers the weld current to the electrode wire. If the hole in the contact tip is too large then arcing may occur inside the contact tip resulting in the wire jamming in the contact tip B When using soft wire such as aluminum it may become jammed in the contact tip due to expansion of the wire when heated. A contact tip designed for soft wires should be used.
7 Poor work lead contact to work piece	If the work lead has a poor electrical contact to the work piece then the connection point will heat up and result in a reduction of power at the arc.
8 Bent liner	This will cause friction between the wire and the liner thus reducing wire feed ability

Table 4-2: Wire Feeding Problems

Basic MIG (GMAW/FCAW) Welding Troubleshooting

FAULT	CAUSE	REMEDY
1 Undercut	A Welding arc voltage too high. B Incorrect MIG Gun angle C Excessive heat input	A Decrease voltage or increase the wire feed speed. B Adjust angle. C Increase the MIG Gun travel speed and/or decrease welding current by decreasing the voltage or decreasing the wire feed speed.
2 Lack of penetration	A Welding current too low B Joint preparation too narrow or gap too tight C Shielding gas incorrect	A Increase welding current by increasing wire feed speed and increasing voltage. B Increase joint angle or gap. C Change to a gas which gives higher penetration.
3 Lack of fusion	Voltage too low	Increase voltage.
4 Excessive spatter	A Voltage too high B Voltage too low	A Decrease voltage or increase the wirespeed control. B Increase the voltage or decrease wirespeed.
5 Irregular weld shape	A Incorrect voltage and current settings. Convex, voltage too low. Concave, voltage too high. B Wire is wandering. C Incorrect shielding gas D Insufficient or excessive heat input	A Adjust voltage and current by adjusting the voltage control and the wirespeed control. B Replace contact tip. C Check shielding gas. D Adjust the wirespeed control or the voltage control.
6 Weld cracking	A Weld beads too small B Weld penetration narrow and deep C Excessive weld stresses D Excessive voltage E Cooling rate too fast	A Decrease travel speed B Reduce current and voltage and increase MIG Gun travel speed or select a lower penetration shielding gas. C Increase weld metal strength or revise design D Decrease voltage. E Slow the cooling rate by preheating part to be welded or cool slowly.
7 Cold weld puddle	A Loose welding cable connection. B Low primary voltage C Fault in power source	A Check all welding cable connections. B Contact supply authority. C Have an Accredited Thermal Arc Service Provider test then replace the faulty component.
8 Arc does not have a crisp sound that short arc exhibits when the wirefeed speed and voltage are adjusted correctly.	The MIG Gun has been connected to the wrong voltage polarity on the front panel.	Connect the MIG Gun to the positive (+) welding terminal for solid wires and gas shielded flux cored wires. Refer to the electrode wire manufacturer for the correct polarity.

Table 4-3: MIG (GMAW /FCAW) Welding Problems

4.03 STICK (SMAW) Basic Welding Technique

Size of Electrode

The electrode size is determined by the thickness of metals being joined and can also be governed by the type of welding machine available. Small welding machines will only provide sufficient current (amperage) to run the smaller size electrodes.

For thin sections, it is necessary to use smaller electrodes otherwise the arc may burn holes through the job. A little practice will soon establish the most suitable electrode for a given application.

Storage of Electrodes

Always store electrodes in a dry place and in their original containers.

Electrode Polarity

Electrodes are generally connected to the ELECTRODE HOLDER with the Electrode Holder connected positive polarity. The WORK LEAD is connected negative polarity and is connected to the work piece. If in doubt consult the electrode data sheet or your nearest Accredited Thermal Arc Distributor.

Effects of Arc Welding Various Materials

A. High tensile and alloy steels

The two most prominent effects of welding these steels are the formation of a hardened zone in the weld area, and, if suitable precautions are not taken, the occurrence in this zone of under-bead cracks may result. Hardened zone and under-bead cracks in the weld area may be reduced by using the correct electrodes, preheating, using higher current settings, using larger electrodes sizes, short runs for larger electrode deposits or tempering in a furnace.

Hydrogen controlled Electrodes must be used for this application.

B. Austenitic manganese steels

The effect on manganese steel of slow cooling from high temperatures is to embrittle it. For this reason it is absolutely essential to keep manganese steel cool during welding by quenching after each weld or skip welding to distribute the heat.

C. Cast Iron

Most types of cast iron, except white iron, are weldable. White iron, because of its extreme brittleness, generally cracks when attempts are made to weld it. Trouble may also be experienced when welding white-heart malleable, due to the porosity caused by gas held in this type of iron.

D. Copper and alloys

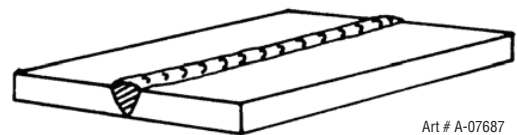
The most important factor is the high rate of heat conductivity of copper, making preheating of heavy sections necessary to give proper fusion of weld and base metal.

Arc Welding Practice

The techniques used for arc welding are almost identical regardless of what types of metals are being joined. Naturally enough, different types of electrodes would be used for different metals as described in the preceding section.

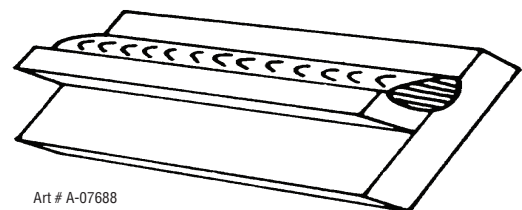
Welding Position

The electrodes dealt with in this publication can be used in most positions, i.e. they are suitable for welding in flat, horizontal, vertical and overhead positions. Numerous applications call for welds to be made in positions intermediate between these. Some of the common types of welds are shown in Figures 4-15 through 4-22.



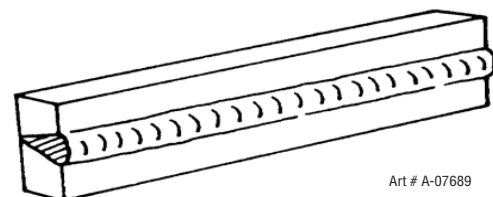
Art # A-07687

Figure 4-11: Flat Position, Down Hand Butt Weld



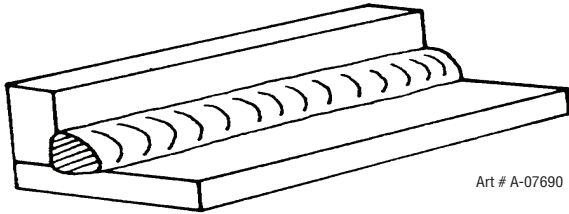
Art # A-07688

Figure 4-12: Flat Position, Gravity Fillet Weld



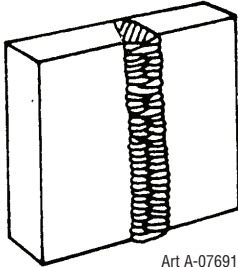
Art # A-07689

Figure 4-13: Horizontal Position, Butt Weld



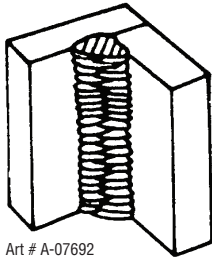
Art # A-07690

Figure 4-14: Horizontal-Vertical (HV) Position



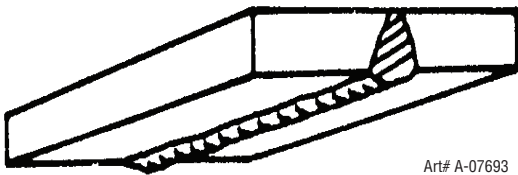
Art A-07691

Figure 4-15: Vertical Position, Butt Weld



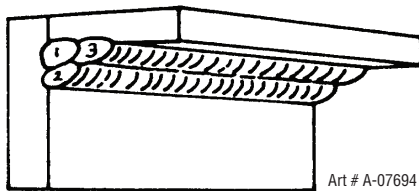
Art # A-07692

Figure 4-16: Vertical Position, Fillet Weld



Art# A-07693

Figure 4-17: Overhead Position, Butt Weld



Art # A-07694

Figure 4-18: Overhead Position, Fillet Weld

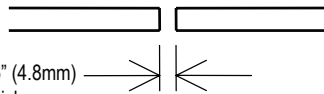
Joint Preparations

In many cases, it will be possible to weld steel sections without any special preparation. For heavier sections and for repair work on castings, etc., it will be necessary to cut or grind an angle between the pieces being joined to ensure proper penetration of the weld metal and to produce sound joints.

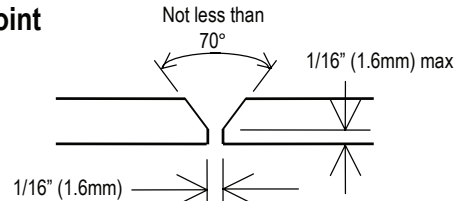
In general, surfaces being welded should be clean and free of rust, scale, dirt, grease, etc. Slag should be removed from oxy-cut surfaces. Typical joint designs are shown in Figure 4-19.

Open Square Butt Joint

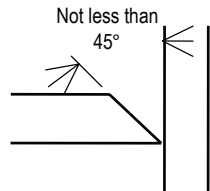
Gap varies from 1/16" (1.6mm) to 3/16" (4.8mm) depending on plate thickness



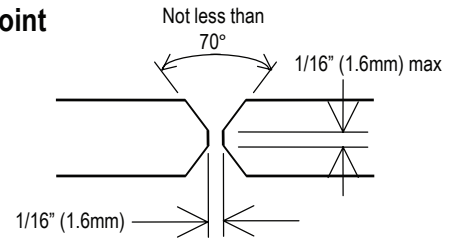
Single Vee Butt Joint



Single Vee Butt Joint



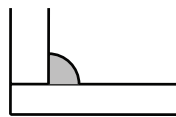
Double Vee Butt Joint



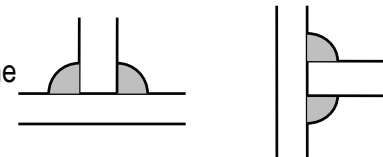
Lap Joint



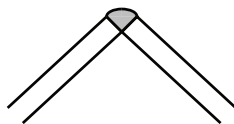
Fillet Joint



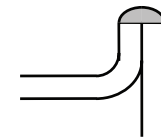
Tee Joints
(Fillet both sides of the joint)



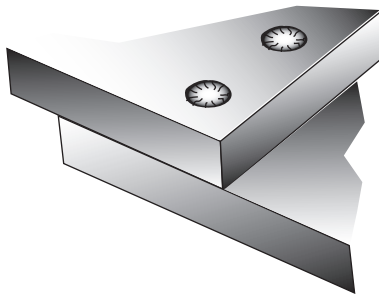
Corner Weld



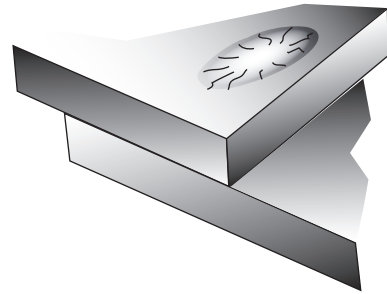
Edge Joint



Plug Weld



Plug Weld



Art # A-10672

Figure 4-19: Typical Joint Designs for Arc Welding

Arc Welding Technique - A Word to Beginners

For those who have not yet done any welding, the simplest way to commence is to run beads on a piece of scrap plate. Use mild steel plate about 1/4" (6.4 mm) thick and a 1/8" (3.2 mm) electrode. Clean any paint, loose scale or grease off the plate and set it firmly on the work bench so that welding can be carried out in the downhand position. Make sure that the work clamp is making good electrical contact with the work, either directly or through the work table. For light gauge material, always clamp the work lead directly to the job, otherwise a poor circuit will probably result.

The Welder

Place yourself in a comfortable position before beginning to weld. Get a seat of suitable height and do as much work as possible sitting down. Don't hold your body tense. A taut attitude of mind and a tensed body will soon make you feel tired. Relax and you will find that the job becomes much easier. You can add much to your peace of mind by wearing a leather apron and gauntlets. You won't be worrying then about being burnt or sparks setting alight to your clothes.

Place the work so that the direction of welding is across, rather than to or from, your body. The electrode holder lead should be clear of any obstruction so that you can move your arm freely along as the electrode burns down. If the lead is slung over your shoulder, it allows greater freedom of movement and takes a lot of weight off your hand. Be sure the insulation on your cable and electrode holder is not faulty, otherwise you are risking an electric shock.

Striking the Arc

Practice this on a piece of scrap plate before going on to more exacting work. You may at first experience difficulty due to the tip of the electrode "sticking" to the work piece. This is caused by making too heavy a contact with the work and failing to withdraw the electrode quickly enough. A low amperage will accentuate it. This freezing-on of the tip may be overcome by scratching the electrode along the plate surface in the same way as a match is struck. As soon as the arc is established, maintain a 1/16" - 1/8" (1.6 mm - 3.2 mm) gap between the burning electrode end and the parent metal. Draw the electrode slowly along as it melts down.

Another difficulty you may meet is the tendency, after the arc is struck, to withdraw the electrode so far that the arc is broken again. A little practice will soon remedy both of these faults.

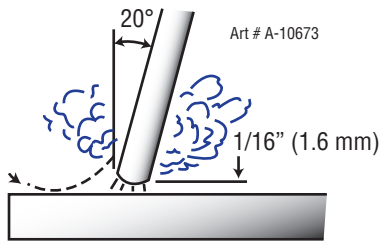


Figure 4-20: Striking an Arc

Arc Length

The securing of an arc length necessary to produce a neat weld soon becomes almost automatic. You will find that a long arc produces more heat. A very long arc produces a crackling or spluttering noise and the weld metal comes across in large, irregular blobs. The weld bead is flattened and spatter increases. A short arc is essential if a high quality weld is to be obtained although if it is too short there is the danger of it being blanketed by slag and the electrode tip being solidified in. If this should happen, give the electrode a quick twist back over the weld to detach it. Contact or "touch-weld" electrodes such as E7014 do not stick in this way, and make welding much easier.

Rate of Travel

After the arc is struck, your next concern is to maintain it, and this requires moving the electrode tip towards the molten pool at the same rate as it is melting away. At the same time, the electrode has to move along the plate to form a bead. The electrode is directed at the weld pool at about 20° from the vertical. The rate of travel has to be adjusted so that a well-formed bead is produced.

If the travel is too fast, the bead will be narrow and strung out and may even be broken up into individual globules. If the travel is too slow, the weld metal piles up and the bead will be too large.

Making Welded Joints

Having attained some skill in the handling of an electrode, you will be ready to go on to make up welded joints.

A. Butt Welds

Set up two plates with their edges parallel, as shown in Figure 4-21, allowing 1/16" - 3/32" (1.6 mm - 2.4 mm) gap between them and tack weld at both ends. This is to prevent contraction stresses from the cooling weld metal pulling the plates out of alignment. Plates thicker than 1/4" (6.4 mm) should have their mating edges beveled to form a 70° to 90° included angle. This allows full penetration of the weld metal to the root. Using a 1/8" (3.2 mm) E7014 electrode at 100 amps, deposit a run of weld metal on the bottom of the joint.

Do not weave the electrode, but maintain a steady rate of travel along the joint sufficient to produce a well-formed bead. At first you may notice a tendency for undercut to form, but keeping the arc length short, the angle of the electrode at about 20° from vertical, and the rate of travel not too fast, will help eliminate this. The electrode needs to be moved along fast enough to prevent the slag pool from getting ahead of the arc. To complete the joint in thin plate, turn the job over, clean the slag out of the back and deposit a similar weld.

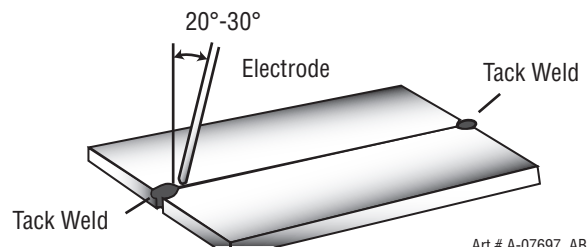


Figure 4-21: Butt Weld

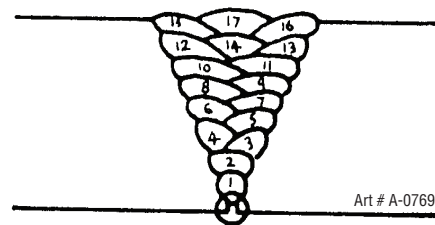


Figure 4-22: Weld Build up Sequence

Heavy plate will require several runs to complete the joint. After completing the first run, chip the slag out and clean the weld with a wire brush. It is important to do this to prevent slag being trapped by the second run. Subsequent runs are then deposited using either a weave technique or single beads laid down in the sequence shown in Figure 4-22. The width of weave should not be more than three times the core wire diameter of the electrode. When the joint is completely filled, the back is either machined, ground or gouged out to remove slag which may be trapped in the root, and to prepare a suitable joint for depositing the backing run. If a backing bar is used, it is not usually necessary to remove this, since it serves a similar purpose to the backing run in securing proper fusion at the root of the weld.

B. Fillet Welds

These are welds of approximately triangular cross-section made by depositing metal in the corner of two faces meeting at right angles. Refer to Figure 4-14.

A piece of angle iron is a suitable specimen with which to begin, or two lengths of strip steel may be tacked together at right angles. Using a 1/8" (3.2 mm) E7014 electrode at 100 amps, position angle iron with one leg horizontal and the other vertical. This is known as a horizontal-vertical (HV) fillet. Strike the arc and immediately bring the electrode to a position perpendicular to the line of the fillet and about 45° from the vertical. Some electrodes require to be sloped about 20° away from the perpendicular position to prevent slag from running ahead of the weld. Refer to Figure 4-23. Do not attempt to build up much larger than 1/4" (6.4 mm) width with a 1/8" (3.2 mm) electrode, otherwise the weld metal tends to sag towards the base, and undercut forms on the vertical leg. Multi-runs can be made as shown in Figure 4-24. Weaving in HV fillet welds is undesirable.

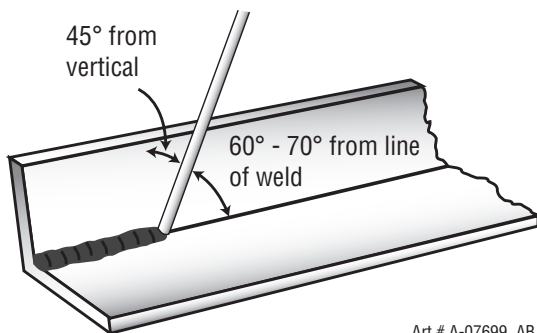


Figure 4-23: Electrode Position for HV Fillet Weld

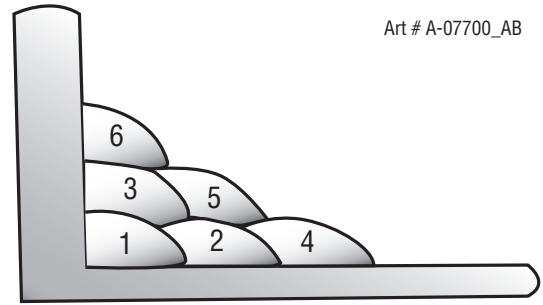


Figure 4-24: Multi-runs in HV Fillet Weld

C. Vertical Welds

1. Vertical Up

Tack weld a three feet length of angle iron to your work bench in an upright position. Use a 1/8" (3.2 mm) E7014 electrode and set the current at 100 amps. Make yourself comfortable on a seat in front of the job and strike the arc in the corner of the fillet. The electrode needs to be about 10° from the horizontal to enable a good bead to be deposited. Refer Figure 4-25. Use a short arc, and do not attempt to weave on the first run. When the first run has been completed de-slag the weld deposit and begin the second run at the bottom. This time a slight weaving motion is necessary to cover the first run and obtain good fusion at the edges. At the completion of each side motion, pause for a moment to allow weld metal to build up at the edges, otherwise undercut will form and too much metal will accumulate in the centre of the weld. Figure 4-26 illustrates multi-run technique and Figure 4-27 shows the effects of pausing at the edge of weave and of weaving too rapidly.

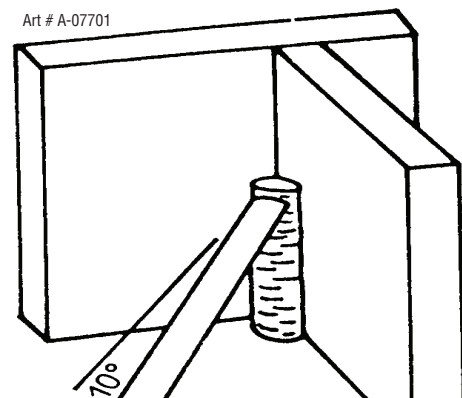


Figure 4-25: Single Run Vertical Fillet Weld

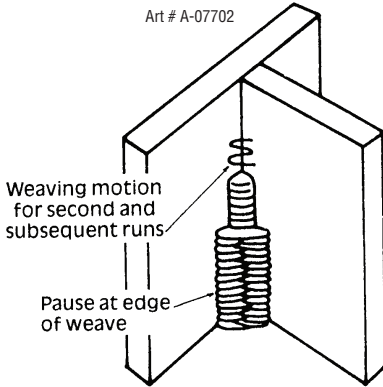


Figure 4-26: Multi Run Vertical Fillet Weld

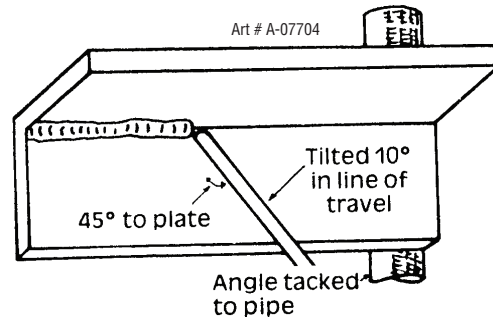


Figure 4-28: Overhead Fillet Weld

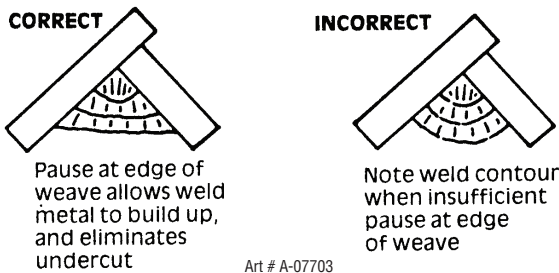


Figure 4-27: Examples of Vertical Fillet Welds

2. Vertical Down

The E7014 electrode makes welding in this position particularly easy. Use a 1/8" (3.2 mm) electrode at 100 amps. The tip of the electrode is held in light contact with the work and the speed of downward travel is regulated so that the tip of the electrode just keeps ahead of the slag. The electrode should point upwards at an angle of about 45°.

3. Overhead Welds

Apart from the rather awkward position necessary, overhead welding is not much more difficult than downhand welding. Set up a specimen for overhead welding by first tacking a length of angle iron at right angles to another piece of angle iron or a length of waste pipe. Then tack this to the work bench or hold in a vice so that the specimen is positioned in the overhead position as shown in the sketch. The electrode is held at 45° to the horizontal and tilted 10° in the line of travel (Figure 4-28). The tip of the electrode may be touched lightly on the metal, which helps to give a steady run. A weave technique is not advisable for overhead fillet welds. Use a 1/8" (3.2 mm) E6013 electrode at 100 amps, and deposit the first run by simply drawing the electrode along at a steady rate. You will notice that the weld deposit is rather convex, due to the effect of gravity before the metal freezes.

Distortion

Distortion in some degree is present in all forms of welding. In many cases it is so small that it is barely perceptible, but in other cases allowance has to be made before welding commences for the distortion that will subsequently occur. The study of distortion is so complex that only a brief outline can be attempted here.

The Cause of Distortion

Distortion is caused by:

A. Contraction of Weld Metal:

Molten steel shrinks approximately 11 per cent in volume on cooling to room temperature. This means that a cube of molten metal would contract approximately 2.2 per cent in each of its three dimensions. In a welded joint, the metal becomes attached to the side of the joint and cannot contract freely. Therefore, cooling causes the weld metal to flow plastically, that is, the weld itself has to stretch if it is to overcome the effect of shrinking volume and still be attached to the edge of the joint. If the restraint is very great, as, for example, in a heavy section of plate, the weld metal may crack. Even in cases where the weld metal does not crack, there will still remain stresses "Locked-up" in the structure. If the joint material is relatively weak, for example, a butt joint in 5/64" (2.0 mm) sheet, the contracting weld metal may cause the sheet to become distorted.

B. Expansion and Contraction of Parent Metal in the Fusion Zone:

While welding is proceeding, a relatively small volume of the adjacent plate material is heated to a very high temperature and attempts to expand in all directions. It is able to do this freely at right angles to the surface of the plate (i.e., "through the weld", but when it attempts to expand "across the weld" or "along the weld", it meets considerable resistance, and to fulfill the desire for continued expansion, it has to deform plastically, that is, the metal adjacent to the

weld is at a high temperature and hence rather soft, and, by expanding, pushes against the cooler, harder metal further away, and tends to bulge (or is "upset". When the weld area begins to cool, the "upset" metal attempts to contract as much as it expanded, but, because it has been "upset" it does not resume its former shape, and the contraction of the new shape exerts a strong pull on adjacent metal. Several things can then happen.

The metal in the weld area is stretched (plastic deformation), the job may be pulled out of shape by the powerful contraction stresses (distortion), or the weld may crack, in any case, there will remain "locked-up" stresses in the job. Figures 4-29 and 4-30 illustrate how distortion is created.

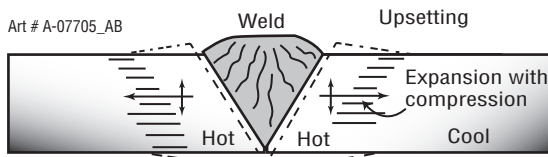


Figure 4-29: Parent Metal Expansion

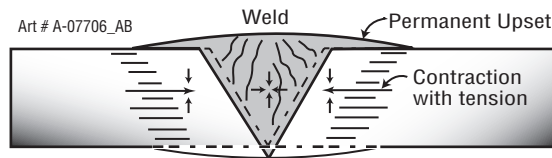


Figure 4-30: Parent Metal Contraction

Overcoming Distortion Effects

There are several methods of minimizing distortion effects.

A. Peening

This is done by hammering the weld while it is still hot. The weld metal is flattened slightly and because of this the tensile stresses are reduced a little. The effect of peening is relatively shallow, and is not advisable on the last layer.

B. Distribution of Stresses

Distortion may be reduced by selecting a welding sequence which will distribute the stresses suitably so that they tend to cancel each other out. See Figures 4-30 through 4-33 for various weld sequences. Choice of a suitable weld sequence is probably the most effective method of overcoming distortion, although an unsuitable sequence may exaggerate it. Simultaneous welding of both sides of a joint by two welders is often successful in eliminating distortion.

C. Restraint of Parts

Forcible restraint of the components being welded is often used to prevent distortion. Jigs, positions, and tack welds are methods employed with this in view.

D. Presetting

It is possible in some cases to tell from past experience or to find by trial and error (or less frequently, to calculate) how much distortion will take place in a given welded structure. By correct pre-setting of the components to be welded, constructional stresses can be made to pull the parts into correct alignment. A simple example is shown in Figure 4-31.

E. Preheating

Suitable preheating of parts of the structure other than the area to be welded can be sometimes used to reduce distortion. Figure 4-32 shows a simple application. By removing the heating source from b and c as soon as welding is completed, the sections b and c will contract at a similar rate, thus reducing distortion.

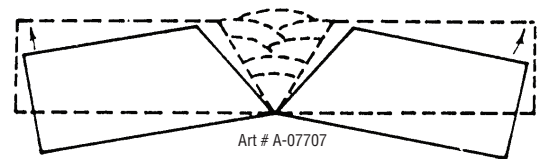
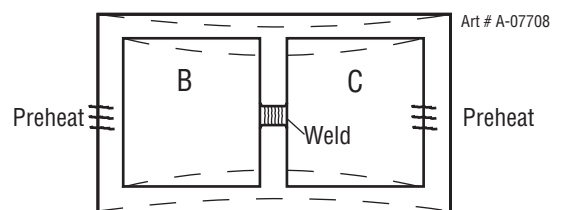


Figure 4-31: Principle of Presetting



Dotted lines show effect if no preheat is used
Figure 4-32: Reduction of Distortion by Preheating

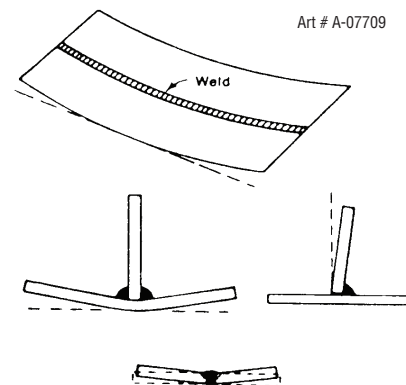
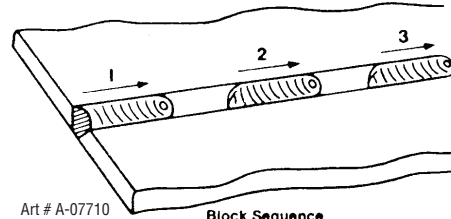


Figure 4-33: Examples of Distortion



Block Sequence.
The spaces between the welds are filled in when the welds are cool.

Figure 4-34: Welding Sequence

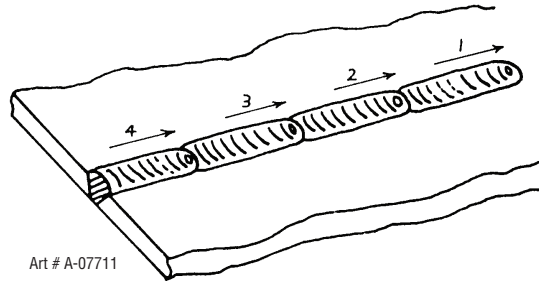


Figure 4-35: Step back Sequence

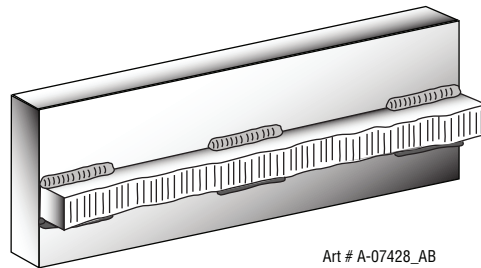


Figure 4-36: Chain Intermittent Welding

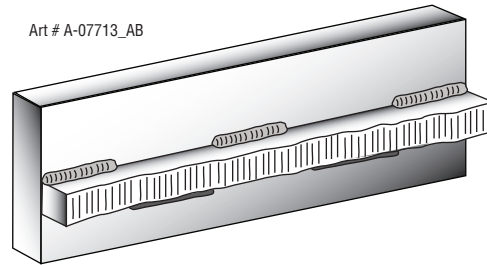


Figure 4-37: Staggered Intermittent Welding

Electrode Selection Chart

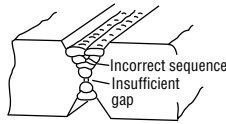
Metal Being Joined	Electrode	Comments
Mild Steel	E6010	This electrode is used for all-position welding or for welding on rusty, dirty, less-than-new metal. It has a deep, penetrating arc and is used for pipe and repair welding.
Mild Steel	E6011	This electrode is used for all-position welding on sheet metal or for welding on plated, dirty, painted or greasy steel. It has a deep, penetrating arc and is often the first choice for repair or maintenance work.
Mild Steel	E6013	This all-position, electrode is used for welding clean, new sheet metal. Its soft arc has minimal spatter, moderate penetration and an easy-to-clean slag.
Mild Steel	E7014	All positional, easy to use electrode for use on thicker steel than E6013. Especially suitable for sheet metal lap joints and fillet welds, general purpose plate welding.
Mild Steel	E7018	A low-hydrogen, all-position electrode used when quality is an issue or for hard-to-weld metals. It has the capability of producing more uniform weld metal, which has better impact properties at low temperatures.
Cast Iron	ENi-CI	Suitable for joining all cast irons except white cast iron.
Stainless Steel	E318L-16	High corrosion resistances. Ideal for dairy work etc.

Table 4-4: Thermal Arc Electrode Selection Chart

4.04 STICK (SMAW) Welding Troubleshooting

FAULT	CAUSE	REMEDY
1 Welding current varying	ARC FORCE is set at a value that causes the welding current to vary excessively with the arc length.	Reduce the ARC FORCE until welding current is reasonably constant while prohibiting the electrode from sticking to the work piece when you “dig” the electrode into the workpiece.
2 A gap is left by failure of the weld metal to fill the root of the weld.	A Welding current too low B Electrode too large for joint. C Insufficient gap.	A Increase welding current. B Use smaller diameter electrode. C Allow wider gap.

<p>3 Non-metallic particles are trapped in the weld metal.</p>	<p>A Non-metallic particles may be trapped in undercut from previous run.</p> <p>B Joint preparation too restricted.</p> <p>C Irregular deposits allow slag to be trapped.</p> <p>D Lack of penetration with slag trapped beneath weld bead.</p> <p>E Rust or mill scale is preventing full fusion.</p> <p>F Wrong electrode for position in which welding is done.</p>	<p>A If a bad undercut is present clean slag out and cover with a run from a smaller gauge electrode.</p> <p>B Allow for adequate penetration and room for cleaning out the slag.</p> <p>C If very bad, chip or grind out irregularities.</p> <p>D Use smaller electrode with sufficient current to give adequate penetration. Use suitable tools to remove all slag from comers.</p> <p>E Clean joint before welding.</p> <p>F Use electrodes designed for position in which welding is done, otherwise proper control of slag is difficult.</p>
--	---	---



Art # A-04273

Figure 4-38: Example of insufficient gap or incorrect sequence

Table 4-5a:

<p>4 A groove has been formed in the base metal adjacent to the toe of a weld and has not been filled by the weld metal (undercut).</p>	<p>A Welding current is too high.</p> <p>B Welding arc is too long.</p> <p>C Angle of the electrode is incorrect.</p> <p>D Joint preparation does not allow correct electrode angle.</p> <p>E Electrode too large for joint.</p> <p>F Insufficient deposit time at edge of weave.</p> <p>G Power source is set for MIG (GMAW) welding.</p>	<p>A Reduce welding current.</p> <p>B Reduce the length of the welding arc.</p> <p>C Electrode should not be inclined less than 45° to the vertical face.</p> <p>D Allow more room in joint for manipulation of the electrode.</p> <p>E Use smaller gauge electrode.</p> <p>F Pause for a moment at edge of weave to allow weld metal buildup.</p> <p>G Set power source to STICK (SMAW) mode.</p>
---	--	--

<p>5 Portions of the weld run do not fuse to the surface of the metal or edge of the joint.</p>	<p>A Small electrodes used on heavy cold plate. B Welding current is too low. C Wrong electrode angle. D Travel speed of electrode is too high. E Scale or dirt on joint surface.</p>	<p>A Use larger electrodes and preheat the plate. B Increase welding current. C Adjust angle so the welding arc is directed more into the base metal. D Reduce travel speed of electrode. E Clean surface before welding.</p>
---	---	---

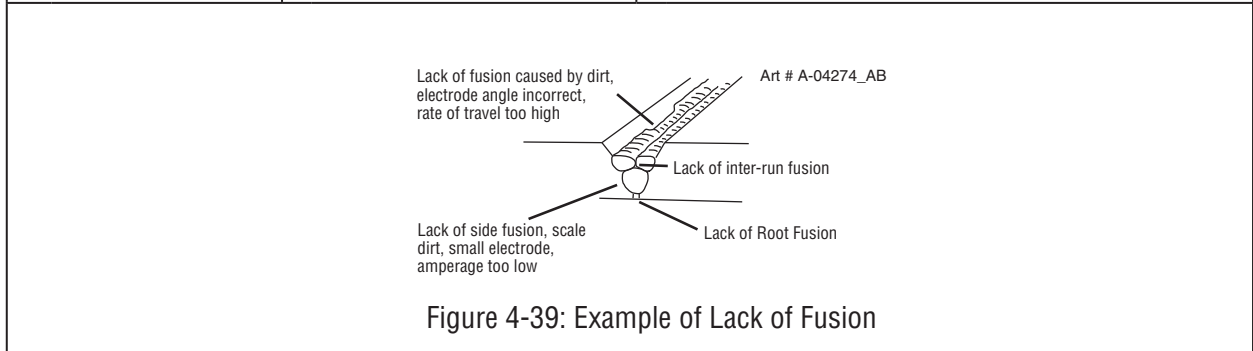


Figure 4-39: Example of Lack of Fusion

Table 4-5b: STICK (SMAW) metal welding trouble shooting

4.05 TIG (GTAW) Basic Welding Technique

Gas Tungsten Arc Welding (GTAW) or TIG (Tungsten Inert Gas) as it is commonly referred to, is a welding process in which fusion is produced by an electric arc that is established between a single tungsten (non-consumable) electrode and the work piece. Shielding is obtained from a welding grade shielding gas or welding grade shielding gas mixture which is generally Argon based. A filler metal may also be added manually in some circumstances depending on the welding application.

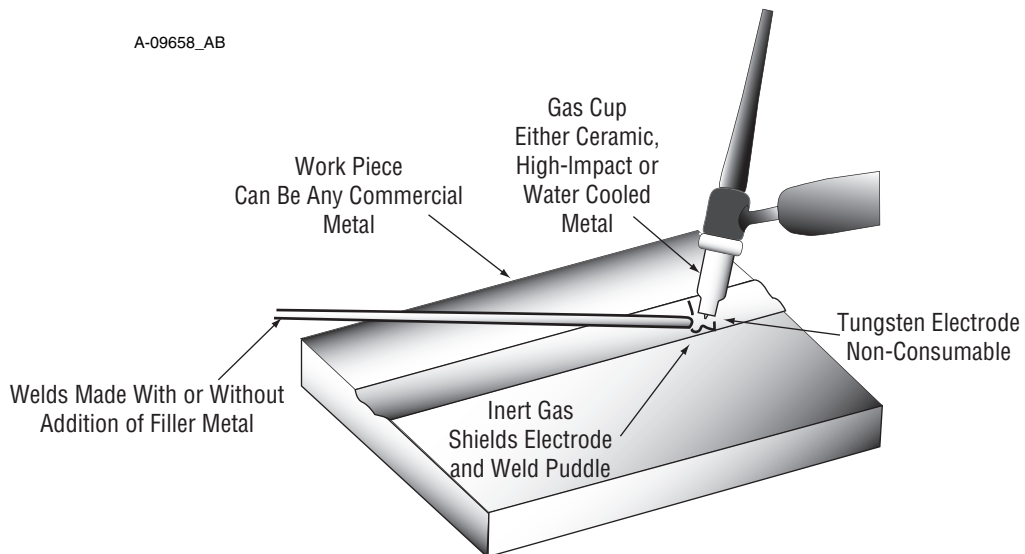


Figure 4-6: TIG (GTAW) Welding Application Shot

Tungsten Electrode Current Ranges

Electrode Diameter	DC Current (Amps)
0.040" (1.0mm)	30-60
1/16" (1.6mm)	60-115
3/32" (2.4mm)	100-165
1/8" (3.2mm)	135-200
5/32" (4.0mm)	190-280
3/16" (5mm)	250-340

Table 4-7: Current Ranges for Various Tungsten Electrode Sizes

Guide for Selecting Filler Wire Diameter

Filler Wire Diameter	DC Current Range (Amps)
1/16" (1.6mm)	20-90
3/32" (2.4mm)	65-115
1/8" (3.2mm)	100-165
3/16" (5mm)	200-350

Table 4-8: Filler Wire Selection Guide

Tungsten Electrode Types

Electrode Type (Ground Finish)	Welding Application	Features	Color Code
Thoriated 2%	DC welding of mild steel, stainless steel and copper	Excellent arc starting, Long life, High current carrying capacity	Red
Zirconated 1%	High quality AC welding of aluminum, magnesium and their alloys.	Self cleaning, Long life, Maintains balled end, High current carrying capacity.	White
Ceriated 2%	AC & DC welding of mild steel, stainless steel, copper, aluminum, magnesium and their alloys	Longer life, More stable arc, Easier starting, Wider current range, Narrower more concentrated arc.	Grey

Table 4-9

NOTE

The Fabricator 252i Inverter is not suited for AC TIG welding.

TIG Welding Filler Rods

Base Metal Thickness	DC Current for Mild Steel	DC Current for Stainless Steel	Tungsten Electrode Diameter	Filler Rod Diameter (if required)	Argon Gas Flow Rate CFH	Joint Type
0.040" 1.0mm	35-45 40-50	20-30 25-35	0.040" 1.0mm	1/16" 1.6mm	10-15	Butt/Corner Lap/Fillet
0.045" 1.2mm	45-55 50-60	30-45 35-50	0.040" 1.0mm	1/16" 1.6mm	10-15	Butt/Corner Lap/Fillet
1/16" 1.6mm	60-70 70-90	40-60 50-70	1/16" 1.6mm	1/16" 1.6mm	15	Butt/Corner Lap/Fillet
1/8" 3.2mm	80-100 90-115	65-85 90-110	1/16" 1.6mm	3/32" 2.4mm	15	Butt/Corner Lap/Fillet
3/16" 4.8mm	115-135 140-165	100-125 125-150	3/32" 2.4mm	1/8" 3.2mm	20	Butt/Corner Lap/Fillet
1/4" 6.4mm	160-175 170-200	135-160 160-180	1/8" 3.2mm	5/32" 4.0mm	20	Butt/Corner Lap/Fillet

Table 4-10

TIG Welding is generally regarded as a specialized process that requires operator competency. While many of the principles outlined in the previous Arc Welding section are applicable a comprehensive outline of the TIG Welding process is outside the scope of this Operating Manual.

4.06 TIG (GTAW) Welding Problems

FAULT	CAUSE	REMEDY
1 Excessive beard build up or poor penetration or poor fusion at edges of weld.	Welding current is too low	Increase weld current and/or faulty joint preparation.
2 Weld bead too wide and flat or undercut at edges of weld or excessive burn through.	Welding current is too high	Decrease weld current.
3 Weld bead too small or insufficient penetration or ripples in bead are widely spaced apart.	Travel speed too fast	Reduce travel speed.
4 Weld bead too wide or excessive bead build up or excessive penetration in butt joint.	Travel speed too slow	Increase travel speed.
5 Uneven leg length in fillet joint	Wrong placement of filler rod	Re-position filler rod.

<p>6 Electrode melts or oxidizes when an arc is struck.</p>	<p>A TIG Torch lead connected to positive welding terminal.</p> <p>B No gas flowing to welding region.</p> <p>C TIG Torch is clogged with dust or dirt.</p> <p>D Gas hose is cut.</p> <p>E Gas passage contains impurities.</p> <p>F Gas regulator turned OFF.</p> <p>G TIG Torch valve is turned OFF.</p> <p>H The electrode is too small for the welding current.</p> <p>I Power source is set for MIG welding.</p>	<p>A Connect TIG Torch lead to negative welding terminal.</p> <p>B Check the gas lines for kinks or breaks and gas cylinder contents.</p> <p>C Clean TIG Torch.</p> <p>D Replace gas hose.</p> <p>E Disconnect gas hose from the rear of Power Source then raise gas pressure and blow out impurities.</p> <p>F Turn ON.</p> <p>G Turn ON.</p> <p>H Increase electrode diameter or reduce the welding current.</p> <p>I Set Power Source to LIFT TIG mode.</p>
<p>7 Dirty weld pool</p>	<p>A Electrode contaminated by contact with work piece or filler rod material.</p> <p>B Work piece surface has foreign material on it.</p> <p>C Gas contaminated with air.</p>	<p>A Clean the electrode by grinding off the contaminates.</p> <p>B Clean surface.</p> <p>C Check gas lines for cuts and loose fitting or change gas cylinder.</p>
<p>8 Poor weld finish</p>	<p>Inadequate shielding gas.</p>	<p>Increase gas flow or check gas line for gas flow problems.</p>

<p>9 Arc start is not smooth.</p>	<p>A Tungsten electrode is too large for the welding current.</p> <p>B The wrong electrode is being used for the welding job.</p> <p>C Gas flow rate is too high.</p> <p>D Incorrect shielding gas is being used.</p> <p>E Poor work clamp connection to work piece.</p>	<p>A Select the right size electrode. Refer to Table 4-7 Thermal Arc Electrode Selection Chart.</p> <p>B Select the right electrode type. Refer to Table 4-9 Thermal Arc Electrode Selection Chart.</p> <p>C Select the right rate for the welding job. Refer to Table 4-11.</p> <p>D Select the right shielding gas.</p> <p>E Improve connection to work piece.</p>
<p>10 Arc flutters during TIG welding.</p>	<p>Tungsten electrode is too large for the welding current.</p>	<p>Select the right size electrode. Refer to Table 4-7 Thermal Arc Electrode Selection Chart.</p>

Table 4-11: TIG (GTAW) Welding Problems

This Page Intentionally Blank

SECTION 5: POWER SOURCE PROBLEMS AND ROUTINE SERVICE REQUIREMENTS

5.01 Power Source Problems

Error Code		CAUSE	REMEDY
ERR 01	Over Temperature Fault	OverTemp signal from Power board indicates Over temperature fault condition of power components	A. Decrease duty cycle of welding activity B. Ensure that air vents are not blocked/ obstructed C. Consult an Accredited Thermal Arc Service Provider.
ERR 02	Input Power Fault	Signal from Power board indicates input power voltage is out of range (too high or too low)	A. Check input power connections and cables for damage or improper insertion B. Verify input voltage levels meet product requirements
ERR 03	VBIAS Voltage Low Fault	Controller board circuit monitor indicates 15 volt supply is too low (< 13.7 VDC)	Consult an Accredited Thermal Arc Service Provider.
ERR 04	Ground Fault	Excessive current detected on Ground wire of power connection	A. Isolate welder chassis from work piece. Check workpiece ground connection. B. Check for MIG wire feed problem in spool/ feedplate. Verify wire is not contacting chassis.
ERR 08	Input Sensor Fault	Unexpected reading of voltage or current sensor during power-up self test	A. Inspect ribbon cable between power supply and display board. B. Consult an accredited Thermal Arc service provider.
ERR 09	Fan Fault	Cooling Fan Failure detected on Inverter board	A. Examine fan vents for potential obstruction. B. Consult an Accredited Thermal Arc Service Provider.
ERR 10	Inverter Output Fault	Substandard output voltage condition detected by controller before weld started	Consult an Accredited Thermal Arc Service Provider.
ERR 14	Trigger Fault	Fault occurred detecting trigger state/condition	A. Trigger may be already activated when MIG process mode is selected - verify that trigger is not accidentally activated B. Trigger may be faulty and/or dirty, test and replace MIG Gun/trigger device
ERR 15	Wirefeed Fault	Welder detects prolonged open circuit during MIG weld	A. Inspect MIG wire spool and feedplate for improper tension or 'bird's nest'. B. Inspect MIG Gun and cable for damage or obstruction C. Consult an Accredited Thermal Arc Service Provider.
ERR 23	Weld Fault	Welder detected a fault during the weld process	Consult an Accredited Thermal Arc Service Provider if symptom recurs frequently.

ERR 24	Code Memory Fault	Welder detected a fault in program flash memory	Firmware image is corrupted. Consult an Accredited Thermal Arc Service Provider.
ERR 25	Nonvolatile Memory Fault	Welder detected a fault in parameter NVROM.	A. Welding may still be possible, but no weld setting changes can be saved. B. Consult an Accredited Thermal Arc Service Provider.
ERR 26	Unknown PCB Fault	Welder control board cannot identify an attached inverter board and/or determine its own identity	Consult an Accredited Thermal Arc Service Provider.
ERR 30	Service Mode Switch Fault	SERVICE DIP switch is enabled	Welding is disabled while SERVICE Mode DIP switch is enabled. Disable SERVICE Mode switch to resume welding.
ERR 31	Controller Fault	Welder control board has detected a hardware fault on itself	Consult an Accredited Thermal Arc Service Provider if symptom recurs frequently.
ERR 33	Calibration Fault	An output (current, voltage, or motor) fault was detected while attempting a calibration process	A. Check integrity of welder cables, MIG Gun or electrode holder and retry calibration. B. Check MIG wire spool, feedplate area for wire feed issues, correct and retry calibration
ERR 34	User Calibration Abort	User-initiated abort/interruption of an active calibration process occurred (usually, release of trigger too early)	Restart/reselect calibration process and retry calibration when ready.
ERR 35	Parameter Fault	Welder control board has detected a parameter out of range	System Parameter re-initialization has been automatically performed or is required (Factory Default Reset)
<p>Note 1: If the left display is alternate flashing "Err" and "Code" this is indicating that the fault was detected but has either stopped occurring or is in the process of clearing itself. If this is the case, the flashing error message will return to normal display functionality within 10 seconds unless another fault occurs. If the left display shows a steady "Err" this is indicating that the fault is persistent and is still being detected.</p> <p>Note 2: Flashing Amperage and Voltage displays (when welding) indicates that the machines maximum output power rating ($300A \times 26.7V = 8kVA$) is being exceeded and the system is automatically reducing the output. If welding is ceased while the displays are flashing, the last values will be displayed for 10 seconds or until controls are adjusted.</p>			

Table 5-1: Power Source Problems

5.02 Routine Service and Calibration Requirements



WARNING

There are extremely dangerous voltage and power levels present inside this Inverter Power Source. Do NOT attempt to open or repair unless you are an accredited Thermal Arc Service Provider. Disconnect the Welding Power Source from the Mains Supply Voltage before disassembling.

Routine Inspection, Testing & Maintenance

A. Testing Schedule

1. For transportable equipment, at least once every 3 months; and
2. For fixed equipment, at least once every 12 months.

The owners of the equipment shall keep a suitable record of the periodic tests and a system of tagging, including the date of the most recent inspection.

A transportable power source is deemed to be any equipment that is not permanently connected and fixed in the position in which it is operated.

B. Insulation Resistance

Minimum insulation resistance for in-service Thermal Arc Inverter Power Sources shall be measured at a voltage of 500V between the parts referred to in Table 5-2 below. Power sources that do not meet the insulation resistance requirements set out below shall be withdrawn from service and not returned until repairs have been performed such that the requirements outlined below are met.

Components to be Tested	Minimum Insulation Resistance (MΩ)
Input circuit (including any connected control circuits) to welding circuit (including any connected control circuits)	5
All circuits to exposed conductive parts	2.5
Welding circuit (including any connected control circuits) to any auxiliary circuit which operates at a voltage exceeding extra low voltage	10
Welding circuit (including any connected control circuits) to any auxiliary circuit which operates at a voltage not exceeding extra low voltage	1
Separate welding circuit to separate welding circuit	1

Table 5-2: Minimum Insulation Resistance Requirements: Thermal Arc Inverter Power Sources

C. Earthing/Grounding

The resistance shall not exceed 1Ω between any metal of a power source where such metal is required to be earthed, and -

1. The earth terminal of a fixed power source; or
2. The earth terminal of the associated plug of a transportable power source

Note that due to the dangers of stray output currents damaging fixed wiring, the integrity of fixed wiring supplying Thermal Arc welding power sources should be inspected by a licensed electrical worker in accordance with the requirements below -

1. For outlets/wiring and associated accessories supplying transportable equipment - at least once every 3 months; and
2. For outlets/wiring and associated accessories supplying fixed equipment - at least once every 12 months.

D. General Maintenance Checks

Welding equipment should be regularly checked by an accredited Thermal Arc Service Provider to ensure that:

1. Flexible cord is of the multi-core tough rubber or plastic sheathed type of adequate rating, correctly connected and in good condition.
2. Welding terminals are in suitable condition and are shrouded to prevent inadvertent contact or short circuit.
3. The Welding System is clean internally, especially from metal filing, slag, and loose material.

E. Accessories

Accessory equipment, including output leads, electrode holders, torches, wire feeders and the like shall be inspected at least monthly by a competent person to ensure that the equipment is in a safe and serviceable condition. All unsafe accessories shall not be used.

F. Repairs

If any parts are damaged for any reason, it is recommended that replacement be performed by an accredited Thermal Arc Service Provider.

Power Source Calibration**A. Schedule**

Output testing of all Thermal Arc Power Sources and applicable accessories shall be conducted at regular intervals to ensure they fall within specified levels. Calibration intervals shall be as outlined below -

1. For transportable equipment, at least once every 3 months; and
2. For fixed equipment, at least once every 12 months.

B. Calibration Requirements

Where applicable, the tests outlined in Table 5-4 below shall be conducted by an accredited Thermal Arc service agent.

Testing Requirements
Output current (A) to be checked to ensure it falls within applicable Thermal Arc power source specifications
Output Voltage (V) to be checked to ensure it falls within applicable Thermal Arc power source specifications
Motor Speed (Inches Per Minute) of wire drive motors to be checked to ensure it falls within required Thermal Arc power source / wire feeder specifications
Accuracy of digital meters to be checked to ensure it falls within applicable Thermal Arc power source specifications

Table 5-4: Calibration Parameters

Periodic calibration of other parameters such as timing functions are not required unless a specific fault has been identified.

C. Calibration Equipment

All equipment used for Power Source calibration shall be in proper working condition and be suitable for conducting the measurement in question. Only test equipment with valid calibration certificates (NATA certified laboratories) shall be utilized.

5.03 Cleaning the Welding Power Source



Warning!
Disconnect input power before maintaining.

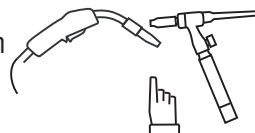
Maintain more often if used under severe conditions

Each Use

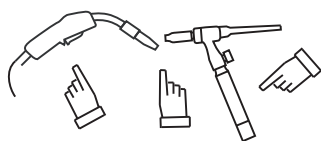
Visual check of regulator and pressure



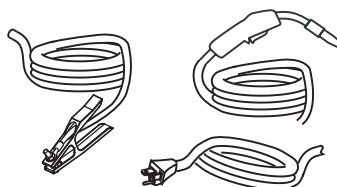
Visual check of torch consumable parts



Weekly



Visually inspect the torch body and consumables



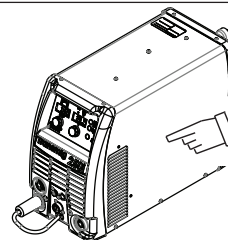
Visually inspect the cables and leads. Replace as needed

3 Months

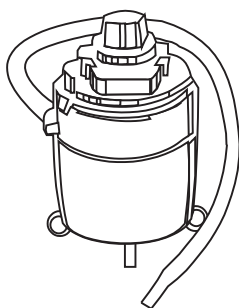
Replace all broken parts



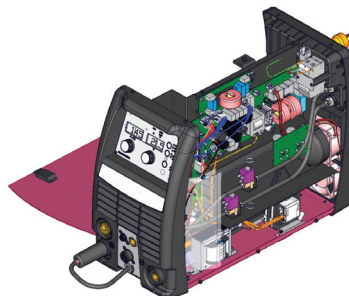
Clean exterior of power supply



6 Months



Bring the unit to an authorized Thermal Arc Service Provider to remove any accumulated dirt and dust from the interior. This may need to be done more frequently under exceptionally dirty conditions.



Art # A-10502

Figure 5-1: Routine Cleaning

5.04 Cleaning the Feed Rolls

Clean the grooves in the drive rolls frequently. This can be done by using a small wire brush. Also wipe off, or clean the grooves on the upper feed roll. After cleaning, tighten the feed roll retaining knobs.

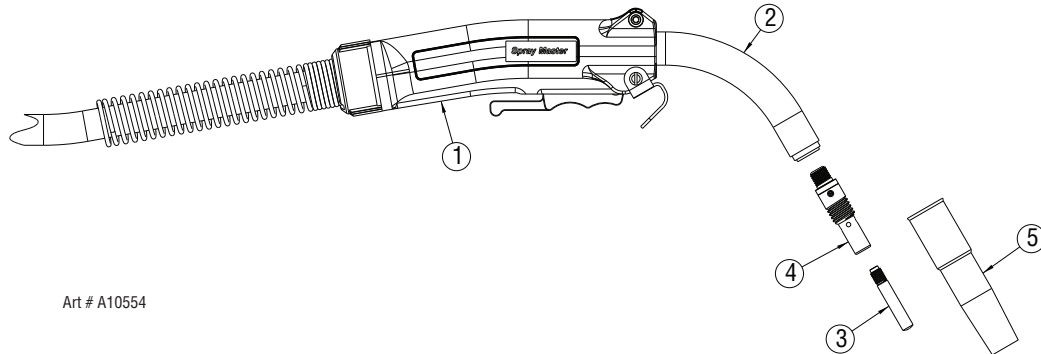


CAUTION

Do NOT use compressed air to clean the Welding Power Source. Compressed air can force metal particles to lodge between live electrical parts and earthed metal parts within the Welding Power Source. This may result in arcing between these parts and their eventual failure.

SECTION 6: KEY SPARE PARTS

6.01 Tweco Spraymaster 250 MIG Gun



Art # A10554

Figure 6-1: Tweco Spraymaster 250 MIG Gun

TWECO MIG TORCH PARTS		
ITEM	PART NO.	DESCRIPTION
1	20709S	Tweco Spraymaster 250 Mig Gun
2	1620-1340	Conductor Tube, 60 Degree
3	1140-1100	Contact Tip .023" (0.6 Mm)
	1140-1101	Contact Tip .030" (0.8 Mm)
	1140-1102	Contact Tip .035" (0.9 Mm)
	1140-1103	Contact Tip .040" (1.0 Mm)
	1140-1104	Contact Tip .045" (1.2 Mm)
	1140-1113	Contact Tip 3/64" Al (1.2 Mm)
	1140-1105	Contact Tip .052" (1.3 Mm)
1140-1106	Contact Tip 1/16" (1.6 Mm)	
4	1520-1102	Gas Diffuser
5	1230-1110	Nozzle, 1/2" (12.7 Mm)
	1230-1120	Nozzle, 5/8" (15.9 Mm)
Not Shown	1420-1103	Liner, .023" Hard Wire
	1420-1113	Liner, .030" - .035" Hard Wire
	1420-1123	Liner, .040" - .045" Hard Wire
	1420-1003	Liner, .030" - 3/64" Al Wire
	1420-1124	Liner, .052" - 1/16" Hard Wire

Table 6-1: Tweco Spraymaster 250 MIG Gun Parts

6.02 Fabricator 252i Power Supply Replacement Panels

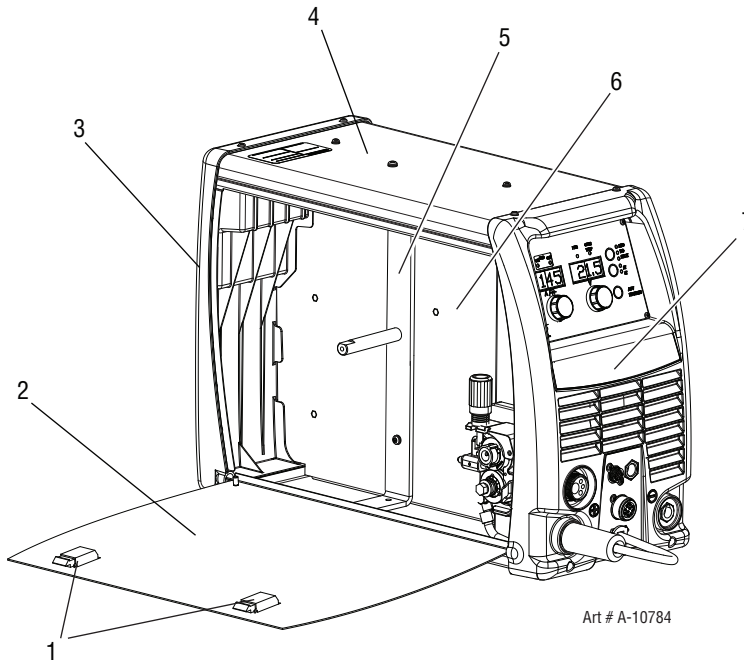


Figure 6-2

FABRICATOR 252i POWER SOURCE SPARE PARTS (Panels/Sheet Metal)		
ITEM	PART NUMBER	DESCRIPTION
1	W7005323	Latch,Slide
2	W7005366	Door, 252I
3	W7005314	Panel,Rear,252I
4	W7005367	Panel, Side, 252I
5	W7005303	Bkt,Spool Support,252I
6	W7005300	Panel,Center,252I
7	W7005360	Panel, Front 252I

Table 6-2

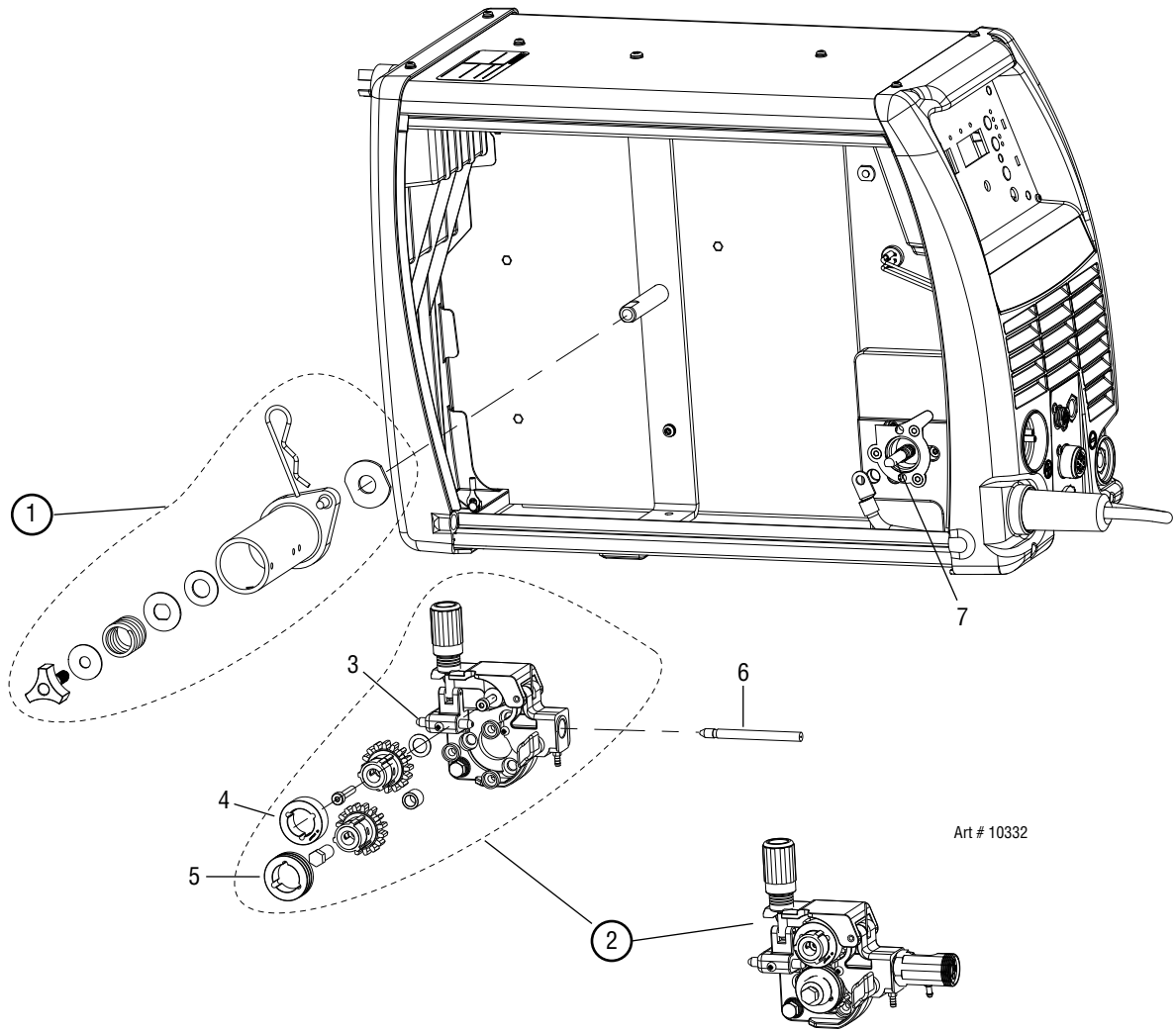


Figure 6-3

FABRICATOR 252i POWER SOURCE SPARE PARTS (LEFT SIDE)		
ITEM	PART NUMBER	DESCRIPTION
1	W7005311	Spool Hub Assembly
2	W7005353	Wire Drive Assembly, 250i. (Does not include motor)
3	375838-002	Guide, Inlet 0.6-1.6mm
4	See Appendix 1	Roll, Pressure No Groove
5	See Appendix 1	Roll, Feed Dual V
6	W6000801	Guide, Outlet 0.9-1.2mm
7	W7005354	Motor, Wire Drive, RH, 20VDC.

Table 6-3

Art # A-10333

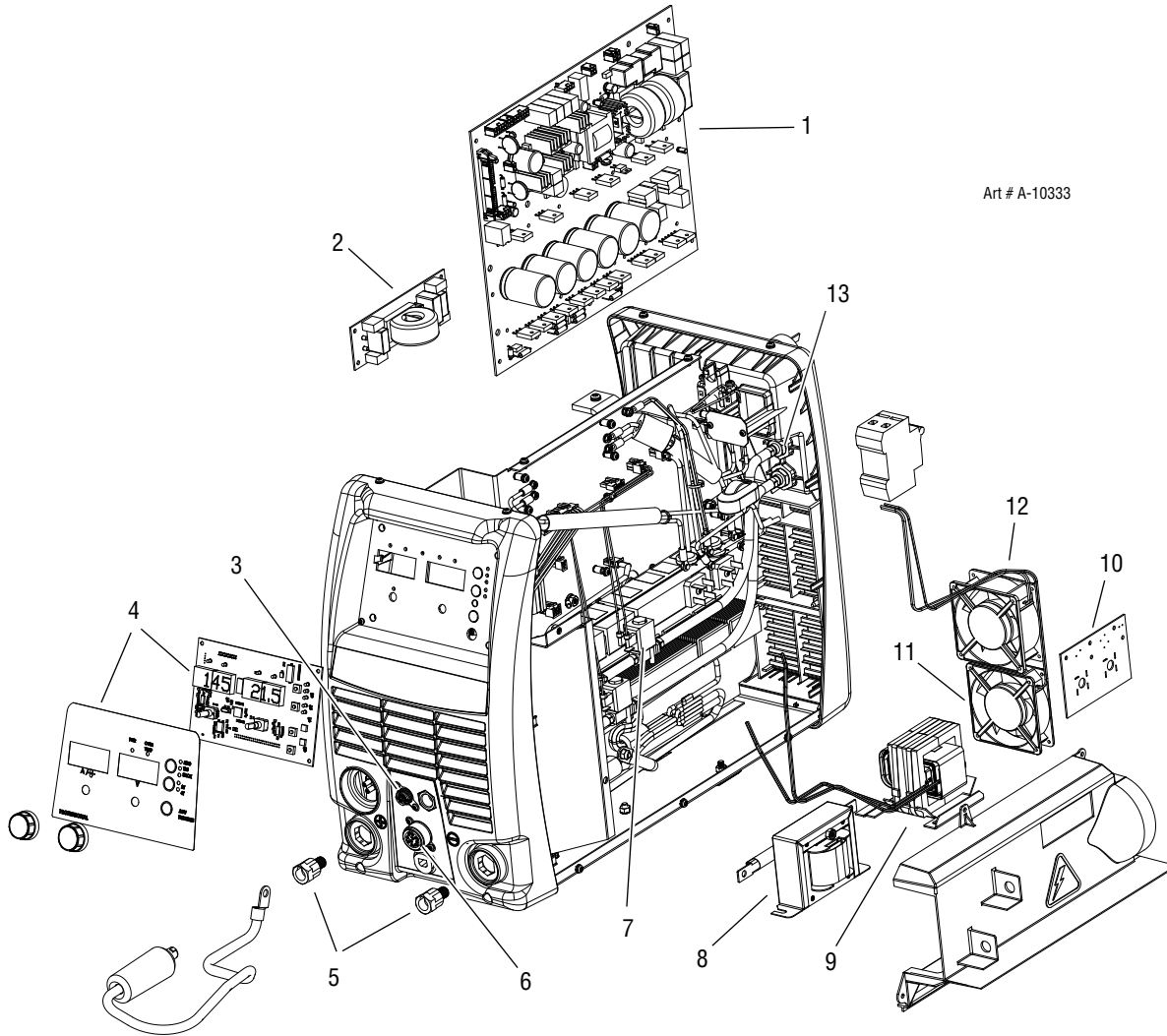


Figure 6-4: Right side and Front Replacement Parts

FABRICATOR 252i POWER SOURCE SPARE PARTS (RIGHT SIDE AND FRONT)		
ITEM	PART NUMBER	DESCRIPTION
1	W7005330	PCB, 250i Main Power
2	W7005347	PCB, EMI, 250A
3	W7003036	Socket 8 pin (Note: 8 pin Control Plug Part# is UOA706900)
4	W7005336	PCB, Control Assy, 250i
5	W7005304	Dinse, Socket Panel, 50mm
6	W7005357	Socket 10 pin (Note: 10 pin Control Plug Part# is W7005358)
7	W7005315	Solenoid,24V,0-0.8MPa
8	W7005351	Inductor
9	W7005302	Transformer, Main, 250i
10	W7005331	PCB, Mov/Bridge, 250A
11	W7005317	Fan, 92x25 LS 24V
12	W7005316	Fan, 92x38 HS 24V
13	W7005355	Inlet, Gas, QC, Male

Table 6-4

APPENDIX 1: OPTIONS AND ACCESSORIES

Description	Part Number
Tweco SprayMaster 250 MIG Gun, 15ft	20709S
26 TIG torch 12.5ft (3.8m); accessory kit with 1/16", 3/32", 1/8" thoriated tungstens with collets, collet bodies No.5,6,7 Alumina Nozzle - Gas Hose 9" (230mm) long with 5/8" 18 UNF male fitting, Torch switch & remote current control with 8 pin plug	W4013600
Gas Hose, 12.5ft, Male 5/8-18UNF	W4013900
Roll Cage, 252i	W4015101
Large HD Cart, Single Cylinder, 211i-252i	W4015001
Large HD Cart, Dual Cylinder, 211i-252i	W4015002
Basic Utility Cart, Single Cylinder, 211i-252i	W4014700

Table A-1: Options and Accessories

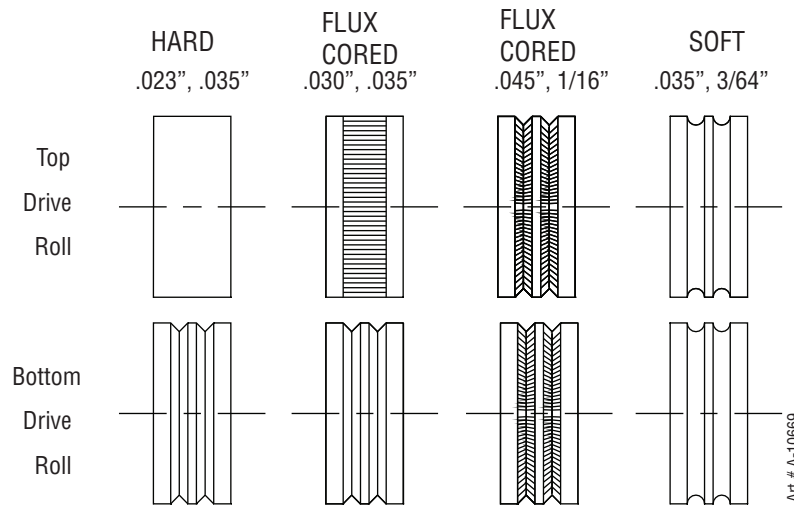
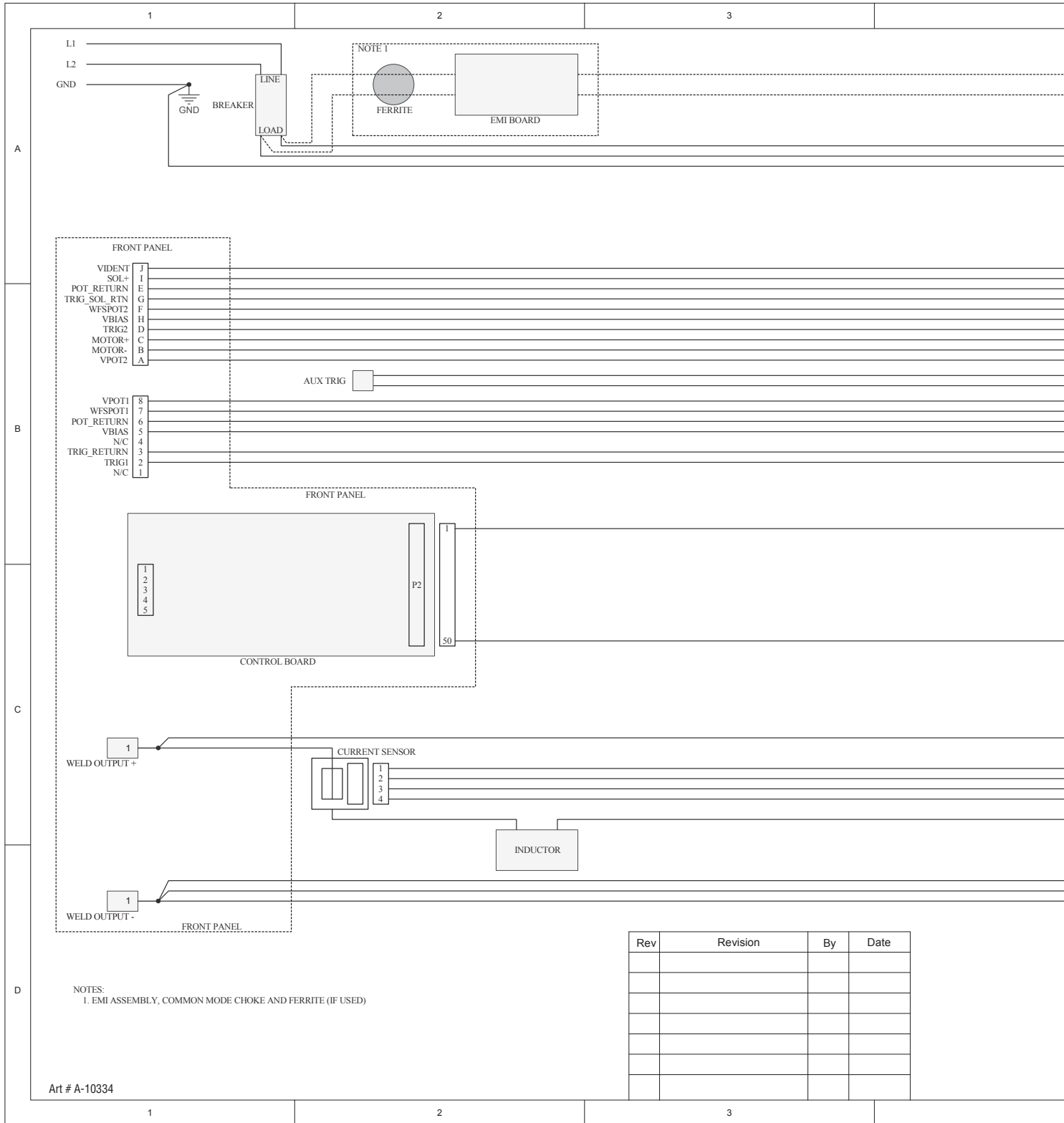


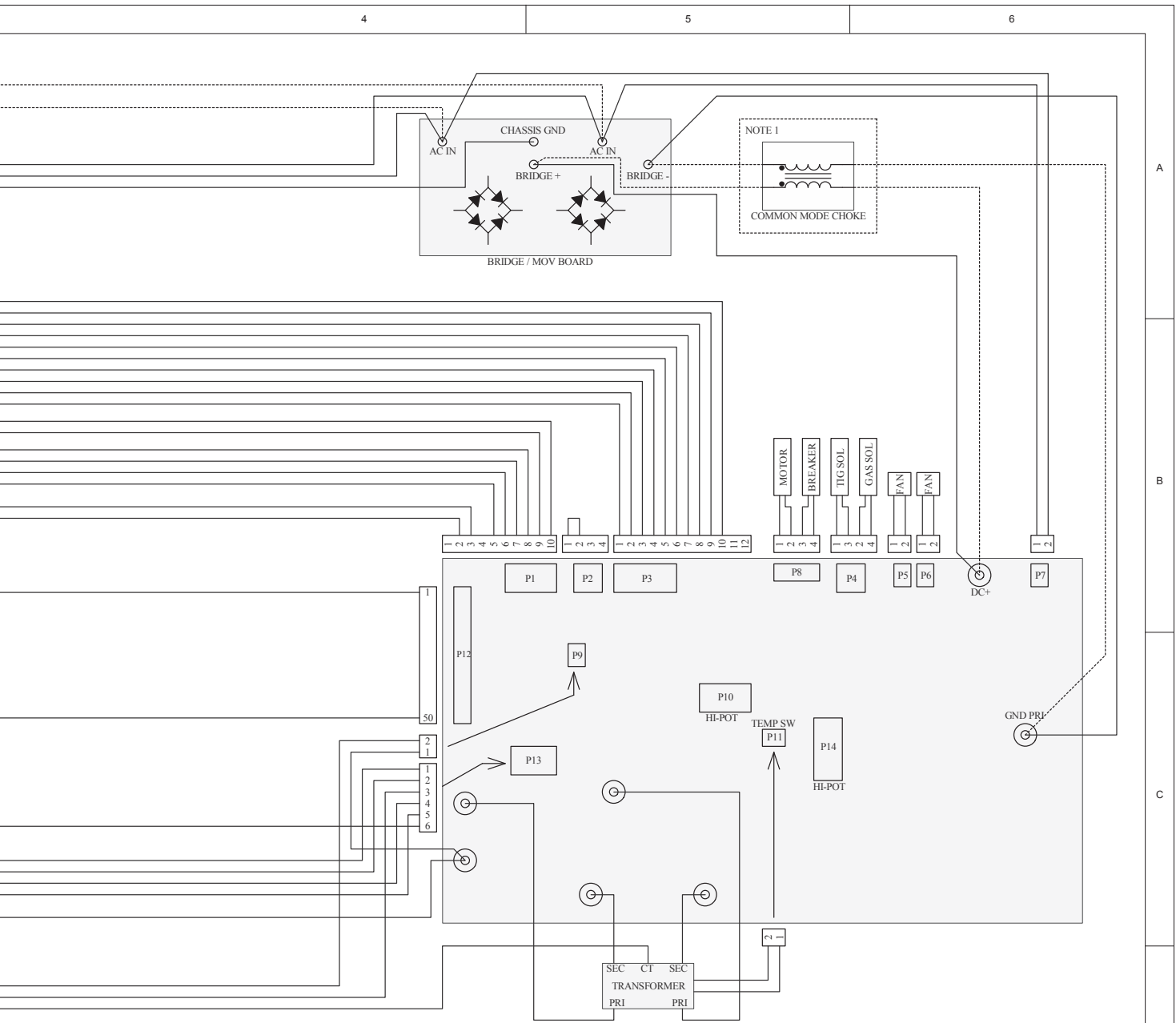
Figure A-1: Drive Roll Chart

Wire Size	Wire Type	Top Drive Roll	Bottom Drive Roll	Inlet Guide	Outlet Guide
.023" (0.6mm)	Hard	407002-001	407002-002	375407-001	W6000803
.030" (0.8mm)	Hard	407002-001	407002-009	375407-001	W6000804
.035" (0.9mm)	Hard	407002-001	407002-009	375407-001	W6000804
.045" (1.2mm)	Hard	407002-001	407002-009	375407-001	W6000804
.030" (0.8mm)	Flux Cored	375832	407002-009	375407-001	W6000804
.035" (0.9mm)	Flux Cored	375832	407002-009	375407-001	W6000804
.045" (1.2mm)	Flux Cored	170924-010	170924-010	375407-001	W6000804
1/16" (1.6mm)	Flux Cored	170924-001	170924-001	375407-001	W6000805
.035" (0.9mm)	Soft	408023-001	408023-001	375647	W6000804
3/64" (1.2mm)	Soft	408023-002	408023-002	375647	W6000804

Table A-2: Wire, Drive Roll and Guide Recommended Combinations

APPENDIX 2: FABRICATOR 252i CIRCUIT DIAGRAM





Art # A-10334

Rev	Revision	By	Date
00	PROTOTYPE	GAC	07/12/2011



The information contained herein is proprietary to Thermadyne. Not for release, reproduction or distribution without written consent.

Title
SCH, SYS, NEXT GEN WELDER

Thermadyne World Headquarters
 16052 Swingley Ridge Road, Suite 300
 St Louis, Missouri 63017 USA

Date Printed	7/12/2011	Date Revised	7/12/2011
Drawn	GAC	Date	02/14/2011
Size	B	Sheet	1 of 1

Drawing Number
42X500100

STATEMENT OF WARRANTY



Effective 08/01/2011

This warranty supersedes all previous THERMADYNE® warranties.

LIMITED WARRANTY: THERMADYNE® warrants that its products will be free of defects in workmanship or material. Should any failure to conform to this warranty appear within the time period applicable to the THERMADYNE® products as stated below, THERMADYNE® shall, upon notification thereof and substantiation that the product has been stored, installed, operated, and maintained in accordance with THERMADYNE®'s specifications, instructions, recommendations and recognized standard industry practice, and not subject to misuse, repair, neglect, alteration, or accident, correct such defects by suitable repair or replacement, at THERMADYNE®'s sole option, of any components or parts of the product determined by THERMADYNE® to be defective.

THIS WARRANTY IS EXCLUSIVE AND IS IN LIEU OF ANY WARRANTY OF MERCHANTABILITY OR FITNESS FOR A PARTICULAR PURPOSE.

LIMITATION OF LIABILITY: THERMADYNE® shall not under any circumstances be liable for special or consequential damages, such as, but not limited to, damage or loss of purchased or replacement goods, or claims of customers of distributor (hereinafter "Purchaser") for service interruption.

The remedies of the Purchaser set forth herein are exclusive and the liability of THERMADYNE® with respect to any contract, or anything done in connection therewith such as the performance or breach thereof, or from the manufacture, sale, delivery, resale, or use of any goods covered by or furnished by THERMADYNE® whether arising out of contract, negligence, strict tort, or under any warranty, or otherwise, shall not, except as expressly provided herein, exceed the price of the goods upon which such liability is based.

THIS WARRANTY BECOMES INVALID IF REPLACEMENT PARTS OR ACCESSORIES ARE USED WHICH MAY IMPAIR THE SAFETY OR PERFORMANCE OF ANY THERMADYNE® PRODUCT.

THIS WARRANTY IS INVALID IF THE PRODUCT IS SOLD BY NON-AUTHORIZED PERSONS.

The warranty is effective for the time stated below beginning on the date that the authorized distributor delivers the products to the Purchaser. Notwithstanding the foregoing, in no event shall the warranty period extend more than the time stated plus 1 year from the date THERMADYNE® delivered the product to the authorized distributor.

WARRANTY SCHEDULE



5 Years Parts* / 3 Years Labor

ArcMaster, Excelarc, Fabricator, Fabstar, PowerMaster

Portafeed, Ultrafeed, Ultima 150, WC 100B

* 5 years on the Original Main Power Transformer and Inductors not mounted on PCBboards.

* 3 years on Power Supply Components

2 Years Parts and Labor Unless specified

Auto-Darkening Welding Helmet (electronic Lens), ** 1 Month Harness Assy

Victor Regulator for Fabricator 181i (No labor)

1 Years Parts and Labor Unless specified

95S, Water recirculators

All Plasma Welding consols (i.e WC-1 Controller, WT Timer,

WF-100 Capstain Feeder, etc)

180 days parts and Labor Unless specified

Plasma Welding Torch and leads packages

Gas Regulators "Supplied with power sources" (No Labor)

90 days parts / No Labor

Remote Controls

MIG and TIG Torches (Supplied with power sources)

Replacement repair parts

30 days parts / No Labor

MIG Torch for Fabricator 181i

5-2-1 years Parts / No Labor

FirePower® Welders



5 Years Parts / No Labor

Victor® Professional

Thermadyne limited warranty shall not apply to:

Consumable Parts for MIG, TIG, Plasma welding, Plasma cutting and Oxy fuel torches, O-rings, fuses, filters or other parts that fail due normal wear

* Warranty repairs or replacement claims under this limited warranty must be submitted by an authorized THERMADYNE® repair facility within thirty (30) days of the repair.

* No employee, agent, or representative of THERMADYNE® is authorized to change this warranty in any way or grant any other warranty, and THERMADYNE® shall not be bound by any such attempt. Correction of non-conformities, in the manner and time provided herein, constitutes fulfillment of THERMADYNE®'s obligations to purchaser with respect to the product.

* This warranty is void, and seller bears no liability hereunder, if purchaser used replacement parts or accessories which, in THERMADYNE®'s sole judgment, impaired the safety or performance of any THERMADYNE® product. Purchaser's rights under this warranty are void if the product is sold to purchaser by unauthorized persons.

Printed in: U.S.A.

**U.S. Customer Care: 800-426-1888 / FAX 800-535-0557 • Canada Customer Care: 905-827-4515 / FAX 800-588-1714
International Customer Care: 940-381-1212 / FAX 940-483-8178 • www.thermalarc.com**



A Global Cutting & Welding Market Leader™

WORLD HEADQUARTERS: 16052 Swingley Ridge Road, Suite 300 • St. Louis, Missouri 63017 U.S.A.

THE AMERICAS

Denton, TX USA
U.S. Customer Care
Ph: 1-800-426-1888 (tollfree)
Fax: 1-800-535-0557 (tollfree)
International Customer Care
Ph: 1-940-381-1212
Fax: 1-940-483-8178

Miami, FL USA
Sales Office, Latin America
Ph: 1-954-727-8371
Fax: 1-954-727-8376

Oakville, Ontario, Canada
Canada Customer Care
Ph: 1-905-827-4515
Fax: 1-800-588-1714 (tollfree)

EUROPE

Chorley, United Kingdom
Customer Care
Ph: +44 1257-261755
Fax: +44 1257-224800

Milan, Italy
Customer Care
Ph: +39 0236546801
Fax: +39 0236546840

ASIA/PACIFIC

Cikarang, Indonesia
Customer Care
Ph: 6221-8990-6095
Fax: 6221-8990-6096

Rawang, Malaysia
Customer Care
Ph: +603 6092-2988
Fax: +603 6092-1085

Melbourne, Australia
Australia Customer Care
Ph: 1300-654-674 (tollfree)
Ph: 61-3-9474-7400
Fax: 61-3-9474-7391

International
Ph: 61-3-9474-7508
Fax: 61-3-9474-7488

Shanghai, China
Sales Office
Ph: +86 21-64072626
Fax: +86 21-64483032

Singapore
Sales Office
Ph: +65 6832-8066
Fax: +65 6763-5812